

**SECTION EI**  
**EXTERIOR & INTERIOR**

A  
 B  
 C  
 D  
 E  
 F  
 G  
 H  
 EI  
 J  
 K  
 L  
 M  
 N  
 O  
 P

**CONTENTS**

<p><b>SERVICE INFORMATION</b> ..... 2</p> <p><b>PRECAUTIONS</b> ..... 2</p> <p style="padding-left: 20px;">Precaution for Supplemental Restraint System (SRS) "AIR BAG" and "SEAT BELT PRE-TENSIONER" .....2</p> <p style="padding-left: 20px;">Precaution .....2</p> <p><b>PREPARATION</b> ..... 3</p> <p style="padding-left: 20px;">Special Service Tool .....3</p> <p style="padding-left: 20px;">Commercial Service Tool .....3</p> <p><b>SQUEAK AND RATTLE TROUBLE DIAGNOSIS</b> ..... 4</p> <p style="padding-left: 20px;">Work Flow .....4</p> <p style="padding-left: 20px;">Generic Squeak and Rattle Troubleshooting .....6</p> <p style="padding-left: 20px;">Diagnostic Worksheet .....8</p> <p><b>CLIP AND FASTENER</b> .....10</p> <p style="padding-left: 20px;">Description ..... 10</p> <p><b>FRONT BUMPER</b> .....13</p> <p style="padding-left: 20px;">Removal and Installation ..... 13</p> <p><b>REAR BUMPER</b> .....15</p> <p style="padding-left: 20px;">Removal and Installation ..... 15</p> <p><b>FRONT GRILLE</b> .....17</p> <p style="padding-left: 20px;">Removal and Installation ..... 17</p> <p><b>COWL TOP</b> .....18</p> <p style="padding-left: 20px;">Removal and Installation ..... 18</p> <p><b>FRONT FENDER</b> .....19</p> <p style="padding-left: 20px;">Removal and Installation ..... 19</p> <p><b>FENDER PROTECTOR</b> .....20</p> <p style="padding-left: 20px;">Component .....20</p> <p style="padding-left: 20px;">Removal and Installation .....21</p>	<p><b>MUDGUARD</b> .....22</p> <p style="padding-left: 20px;">Removal and Installation .....22</p> <p><b>LICENSE LAMP FINISHER</b> .....23</p> <p style="padding-left: 20px;">Removal and Installation .....23</p> <p><b>REAR AIR SPOILER</b> .....24</p> <p style="padding-left: 20px;">Removal and Installation .....24</p> <p><b>ROOF SIDE MOLDING</b> .....25</p> <p style="padding-left: 20px;">Removal and Installation .....25</p> <p><b>REAR PILLAR FINISHER</b> .....26</p> <p style="padding-left: 20px;">Removal and Installation .....26</p> <p><b>DOOR OUTSIDE MOLDING</b> .....27</p> <p style="padding-left: 20px;">Removal and Installation .....27</p> <p><b>SIDE GUARD MOLDING</b> .....28</p> <p style="padding-left: 20px;">Removal and Installation .....28</p> <p><b>DOOR FINISHER</b> .....29</p> <p style="padding-left: 20px;">Removal and Installation .....29</p> <p><b>BODY SIDE TRIM</b> .....33</p> <p style="padding-left: 20px;">Removal and Installation .....33</p> <p><b>REAR PARCEL SHELF FINISHER</b> .....35</p> <p style="padding-left: 20px;">Removal and Installation .....35</p> <p><b>FLOOR TRIM</b> .....36</p> <p style="padding-left: 20px;">Removal and Installation .....36</p> <p><b>HEADLINING</b> .....37</p> <p style="padding-left: 20px;">Removal and Installation .....37</p> <p><b>TRUNK ROOM TRIM &amp; TRUNK LID FINISHER</b> .....39</p> <p style="padding-left: 20px;">Removal and Installation .....39</p>
--	---

# PRECAUTIONS

< SERVICE INFORMATION >

## SERVICE INFORMATION

### PRECAUTIONS

#### Precaution for Supplemental Restraint System (SRS) "AIR BAG" and "SEAT BELT PRE-TENSIONER"

INFOID:000000001721185

The Supplemental Restraint System such as "AIR BAG" and "SEAT BELT PRE-TENSIONER", used along with a front seat belt, helps to reduce the risk or severity of injury to the driver and front passenger for certain types of collision. This system includes seat belt switch inputs and dual stage front air bag modules. The SRS system uses the seat belt switches to determine the front air bag deployment, and may only deploy one front air bag, depending on the severity of a collision and whether the front occupants are belted or unbelted. Information necessary to service the system safely is included in the SRS and SB section of this Service Manual.

#### **WARNING:**

- To avoid rendering the SRS inoperative, which could increase the risk of personal injury or death in the event of a collision which would result in air bag inflation, all maintenance must be performed by an authorized NISSAN/INFINITI dealer.
- Improper maintenance, including incorrect removal and installation of the SRS, can lead to personal injury caused by unintentional activation of the system. For removal of Spiral Cable and Air Bag Module, see the SRS section.
- Do not use electrical test equipment on any circuit related to the SRS unless instructed to in this Service Manual. SRS wiring harnesses can be identified by yellow and/or orange harnesses or harness connectors.

#### Precaution

INFOID:000000001721186

- When removing or disassembling any part, be careful not to damage or deform it. Protect parts which may get in the way with cloth.
- When removing parts with a screwdriver or other tool, protect parts by wrapping them with vinyl or tape.
- Keep removed parts protected with cloth.
- If a clip is deformed or damaged, replace it.
- If an un reusable part is removed, replace it with a new one.
- Tighten bolts and nuts firmly to the specified torque.
- After re-assembly has been completed, make sure each part functions correctly.
- Remove stains in the following way.
  - Water-soluble stains:  
Dip a cloth in warm water, and squeeze tightly. After wiping the stain, wipe with a soft dry cloth.
  - Oil stain:  
Dissolve a synthetic detergent in warm water (density of 2 to 3% or less), dip the cloth, then clean off the stain with the cloth. Next, dip the soft cloth in fresh water, and then squeeze it tightly. Then clean off the detergent completely. Then wipe the area with a soft dry cloth.
- Do not use any organic solvent, such as thinner or benzine.

# PREPARATION

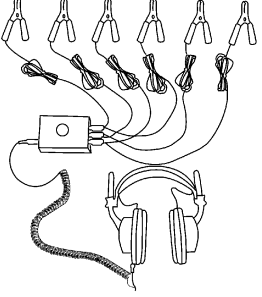
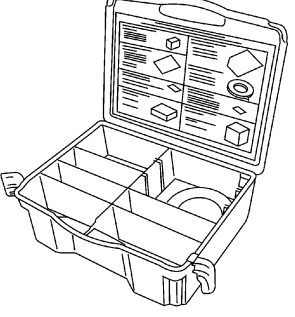
< SERVICE INFORMATION >

## PREPARATION

### Special Service Tool

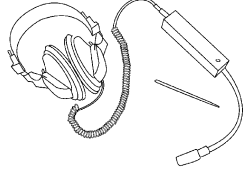
INFOID:000000001721187

The actual shapes of Kent-Moore tools may differ from those of special service tools illustrated here.

Tool number (Kent-Moore No.) Tool name		Description
— (J-39570) Chassis ear		Locating the noise
SBT839		
— (J-43980) NISSAN Squeak and Rattle kit		Repairing the cause of noise
SBT840		

### Commercial Service Tool

INFOID:000000001721188

Tool number (Kent-Moore No.) Tool name		Description
— (J-39565) Engine ear		Locating the noise
SIIA0995E		

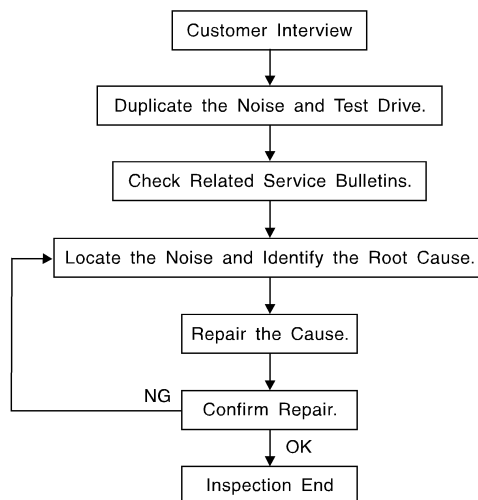
# SQUEAK AND RATTLE TROUBLE DIAGNOSIS

< SERVICE INFORMATION >

## SQUEAK AND RATTLE TROUBLE DIAGNOSIS

### Work Flow

INFOID:000000001721189



SBT842

### CUSTOMER INTERVIEW

Interview the customer, if possible, to determine the conditions that exist when the noise occurs. Use the Diagnostic Worksheet during the interview to document the facts and conditions when the noise occurs and any customer's comments; refer to [EI-8, "Diagnostic Worksheet"](#). This information is necessary to duplicate the conditions that exist when the noise occurs.

- The customer may not be able to provide a detailed description or the location of the noise. Attempt to obtain all the facts and conditions that exist when the noise occurs (or does not occur).
- If there is more than one noise in the vehicle, be sure to diagnose and repair the noise that the customer is concerned about. This can be accomplished by test driving the vehicle with the customer.
- After identifying the type of noise, isolate the noise in terms of its characteristics. The noise characteristics are provided so the customer, service adviser and technician are all speaking the same language when defining the noise.
- Squeak — (Like tennis shoes on a clean floor)  
Squeak characteristics include the light contact/fast movement/brought on by road conditions/hard surfaces = higher pitch noise/softer surfaces = lower pitch noises/edge to surface = chirping
- Creak — (Like walking on an old wooden floor)  
Creak characteristics include firm contact/slow movement/twisting with a rotational movement/pitch dependent on materials/often brought on by activity.
- Rattle — (Like shaking a baby rattle)  
Rattle characteristics include the fast repeated contact/vibration or similar movement/loose parts/missing clip or fastener/incorrect clearance.
- Knock — (Like a knock on a door)  
Knock characteristics include hollow sounding/sometimes repeating/often brought on by driver action.
- Tick — (Like a clock second hand)  
Tick characteristics include gentle contacting of light materials/loose components/can be caused by driver action or road conditions.
- Thump — (Heavy, muffled knock noise)  
Thump characteristics include softer knock/dead sound often brought on by activity.
- Buzz — (Like a bumblebee)  
Buzz characteristics include high frequency rattle/firm contact.
- Often the degree of acceptable noise level will vary depending upon the person. A noise that you may judge as acceptable may be very irritating to the customer.
- Weather conditions, especially humidity and temperature, may have a great effect on noise level.

### DUPLICATE THE NOISE AND TEST DRIVE

If possible, drive the vehicle with the customer until the noise is duplicated. Note any additional information on the Diagnostic Worksheet regarding the conditions or location of the noise. This information can be used to duplicate the same conditions when you confirm the repair.

# SQUEAK AND RATTLE TROUBLE DIAGNOSIS

## < SERVICE INFORMATION >

If the noise can be duplicated easily during the test drive, to help identify the source of the noise, try to duplicate the noise with the vehicle stopped by doing one or all of the following:

- Close a door.
- Tap or push/pull around the area where the noise appears to be coming from.
- Rev the engine.
- Use a floor jack to recreate vehicle "twist".
- At idle, apply engine load (electrical load, half-clutch on M/T model, drive position on A/T model).
- Raise the vehicle on a hoist and hit a tire with a rubber hammer.
- Drive the vehicle and attempt to duplicate the conditions the customer states exist when the noise occurs.
- If it is difficult to duplicate the noise, drive the vehicle slowly on an undulating or rough road to stress the vehicle body.

## CHECK RELATED SERVICE BULLETINS

After verifying the customer concern or symptom, check ASIST for Technical Service Bulletins (TSBs) related to that concern or symptom.

If a TSB relates to the symptom, follow the procedure to repair the noise.

## LOCATE THE NOISE AND IDENTIFY THE ROOT CAUSE

1. Narrow down the noise to a general area. To help pinpoint the source of the noise, use a listening tool (Chassis Ear: J-39570, Engine Ear: J-39565 and mechanics stethoscope).
2. Narrow down the noise to a more specific area and identify the cause of the noise by:
  - Removing the components in the area that you suspect the noise is coming from.  
**Do not use too much force when removing clips and fasteners, otherwise clips and fasteners can be broken or lost during the repair, resulting in the creation of new noise.**
  - Tapping or pushing/pulling the component that you suspect is causing the noise.  
**Do not tap or push/pull the component with excessive force, otherwise the noise will be eliminated only temporarily.**
  - Feeling for a vibration with your hand by touching the component(s) that you suspect is (are) causing the noise.
  - Placing a piece of paper between components that you suspect are causing the noise.
  - Looking for loose components and contact marks.Refer to [EI-6. "Generic Squeak and Rattle Troubleshooting"](#).

## REPAIR THE CAUSE

- If the cause is a loose component, tighten the component securely.
- If the cause is insufficient clearance between components:
  - Separate components by repositioning or loosening and retightening the component, if possible.
  - Insulate components with a suitable insulator such as urethane pads, foam blocks, felt cloth tape or urethane tape. A NISSAN Squeak and Rattle Kit (J-43980) is available through your authorized NISSAN Parts Department.

### CAUTION:

**Do not use excessive force as many components are constructed of plastic and may be damaged.**

**Always check with the Parts Department for the latest parts information.**

The following materials are contained in the NISSAN Squeak and Rattle Kit (J-43980). Each item can be ordered separately as needed.

URETHANE PADS [1.5 mm (0.059 in) thick]

Insulates connectors, harness, etc.

76268-9E005: 100 x 135 mm (3.94 x 5.31 in)/76884-71L01: 60 x 85 mm (2.36 x 3.35 in)/76884-71L02: 15 x 25 mm (0.59 x 0.98 in)

INSULATOR (Foam blocks)

Insulates components from contact. Can be used to fill space behind a panel.

73982-9E000: 45 mm (1.77 in) thick, 50 x 50 mm (1.97 x 1.97 in)/73982-50Y00: 10 mm (0.39 in) thick, 50 x 50 mm (1.97 x 1.97 in)

INSULATOR (Light foam block)

80845-71L00: 30 mm (1.18 in) thick, 30 x 50 mm (1.18 x 1.97 in)

FELT CLOTH TAPE

Used to insulate where movement does not occur. Ideal for instrument panel applications.

68370-4B000: 15 x 25 mm (0.59 x 0.98 in) pad/68239-13E00: 5 mm (0.20 in) wide tape roll

The following materials, not found in the kit, can also be used to repair squeaks and rattles.

UHMW (TEFLON) TAPE

Insulates where slight movement is present. Ideal for instrument panel applications.

# SQUEAK AND RATTLE TROUBLE DIAGNOSIS

## < SERVICE INFORMATION >

---

### SILICONE GREASE

Used in place of UHMW tape that will be visible or not fit.

Note: Will only last a few months.

### SILICONE SPRAY

Use when grease cannot be applied.

### DUCT TAPE

Use to eliminate movement.

### CONFIRM THE REPAIR

Confirm that the cause of a noise is repaired by test driving the vehicle. Operate the vehicle under the same conditions as when the noise originally occurred. Refer to the notes on the Diagnostic Worksheet.

## Generic Squeak and Rattle Troubleshooting

INFOID:000000001721190

Refer to Table of Contents for specific component removal and installation information.

### INSTRUMENT PANEL

Most incidents are caused by contact and movement between:

1. The cluster lid A and instrument panel
2. Acrylic lens and combination meter housing
3. Instrument panel to front pillar garnish
4. Instrument panel to windshield
5. Instrument panel pins
6. Wiring harnesses behind the combination meter
7. A/C defroster duct and duct joint

These incidents can usually be located by tapping or moving the components to duplicate the noise or by pressing on the components while driving to stop the noise. Most of these incidents can be repaired by applying felt cloth tape or silicone spray (in hard to reach areas). Urethane pads can be used to insulate wiring harness.

#### **CAUTION:**

**Do not use silicone spray to isolate a squeak or rattle. If you saturate the area with silicone, you will not be able to recheck the repair.**

### CENTER CONSOLE

Components to pay attention to include:

1. Shifter assembly cover to finisher
2. A/C control unit and cluster lid C
3. Wiring harnesses behind audio and A/C control unit

The instrument panel repair and isolation procedures also apply to the center console.

### DOORS

Pay attention to the:

1. Finisher and inner panel making a slapping noise
2. Inside handle escutcheon to door finisher
3. Wiring harnesses tapping
4. Door striker out of alignment causing a popping noise on starts and stops

Tapping or moving the components or pressing on them while driving to duplicate the conditions can isolate many of these incidents. You can usually insulate the areas with felt cloth tape or insulator foam blocks from the NISSAN Squeak and Rattle Kit (J-43980) to repair the noise.

### TRUNK

Trunk noises are often caused by a loose jack or loose items put into the trunk by the owner.

In addition look for:

1. Trunk lid bumpers out of adjustment
2. Trunk lid striker out of adjustment
3. The trunk lid torsion bars knocking together
4. A loose license plate or bracket

# SQUEAK AND RATTLE TROUBLE DIAGNOSIS

## < SERVICE INFORMATION >

Most of these incidents can be repaired by adjusting, securing or insulating the item(s) or component(s) causing the noise.

### SUNROOF/HEADLINING

Noises in the sunroof/headlining area can often be traced to one of the following:

1. Sunroof lid, rail, linkage or seals making a rattle or light knocking noise
2. Sun visor shaft shaking in the holder
3. Front or rear windshield touching headliner and squeaking

Again, pressing on the components to stop the noise while duplicating the conditions can isolate most of these incidents. Repairs usually consist of insulating with felt cloth tape.

### OVERHEAD CONSOLE (FRONT AND REAR)

Overhead console noises are often caused by the console panel clips not being engaged correctly. Most of these incidents are repaired by pushing up on the console at the clip locations until the clips engage.

In addition look for:

1. Loose harness or harness connectors.
2. Front console map/reading lamp lens loose.
3. Loose screws at console attachment points.

### SEATS

When isolating seat noise it's important to note the position the seat is in and the load placed on the seat when the noise is present. These conditions should be duplicated when verifying and isolating the cause of the noise.

Cause of seat noise include:

1. Headrest rods and holder
2. A squeak between the seat pad cushion and frame
3. The rear seatback lock and bracket

These noises can be isolated by moving or pressing on the suspected components while duplicating the conditions under which the noise occurs. Most of these incidents can be repaired by repositioning the component or applying urethane tape to the contact area.

### UNDERHOOD

Some interior noise may be caused by components under the hood or on the engine wall. The noise is then transmitted into the passenger compartment.

Causes of transmitted underhood noise include:

1. Any component installed on the engine wall
2. Components that pass through the engine wall
3. Engine wall mounts and connectors
4. Loose radiator pins
5. Hood bumpers out of adjustment
6. Hood striker out of adjustment

These noises can be difficult to isolate since they cannot be reached from the interior of the vehicle. The best method is to secure, move or insulate one component at a time and test drive the vehicle. Also, engine RPM or load can be changed to isolate the noise. Repairs can usually be made by moving, adjusting, securing, or insulating the component causing the noise.

A  
B  
C  
D  
E  
F  
G  
H  
I  
J  
K  
L  
M  
N  
O  
P

EI

# SQUEAK AND RATTLE TROUBLE DIAGNOSIS

< SERVICE INFORMATION >

## Diagnostic Worksheet

INFOID:000000001721191

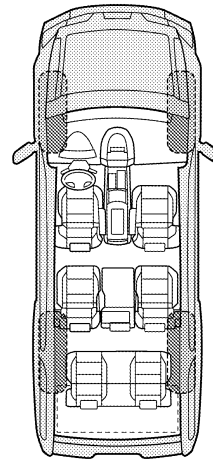
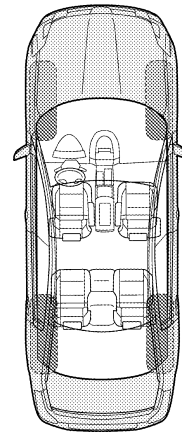
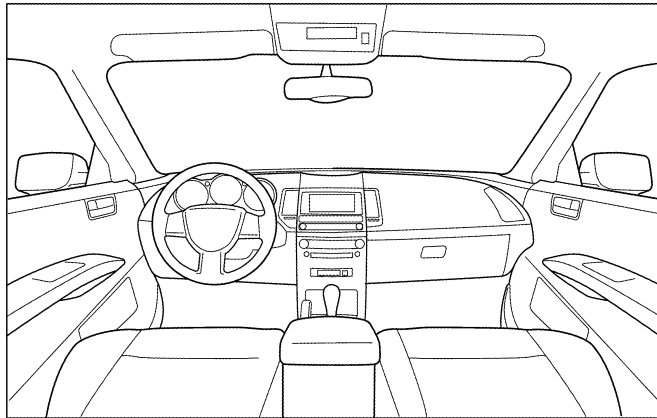
Dear Customer:

We are concerned about your satisfaction with your vehicle. Repairing a squeak or rattle sometimes can be very difficult. To help us fix your vehicle right the first time, please take a moment to note the area of the vehicle where the squeak or rattle occurs and under what conditions. You may be asked to take a test drive with a service advisor or technician to ensure we confirm the noise you are hearing.

### SQUEAK & RATTLE DIAGNOSTIC WORKSHEET

#### I. WHERE DOES THE NOISE COME FROM? (circle the area of the vehicle)

The illustrations are for reference only, and may not reflect the actual configuration of your vehicle.



Continue to page 2 of the worksheet and briefly describe the location of the noise or rattle. In addition, please indicate the conditions which are present when the noise occurs.



# SQUEAK AND RATTLE TROUBLE DIAGNOSIS

< SERVICE INFORMATION >

## SQUEAK & RATTLE DIAGNOSTIC WORKSHEET - page 2

Briefly describe the location where the noise occurs:

---

---

### II. WHEN DOES IT OCCUR? (please check the boxes that apply)

- |   |  |
|---|--|
| <input type="checkbox"/> Anytime                      | <input type="checkbox"/> After sitting out in the rain |
| <input type="checkbox"/> 1st time in the morning      | <input type="checkbox"/> When it is raining or wet     |
| <input type="checkbox"/> Only when it is cold outside | <input type="checkbox"/> Dry or dusty conditions       |
| <input type="checkbox"/> Only when it is hot outside  | <input type="checkbox"/> Other:                        |

### III. WHEN DRIVING:

- Through driveways
- Over rough roads
- Over speed bumps
- Only about \_\_\_\_ mph
- On acceleration
- Coming to a stop
- On turns: left, right or either (circle)
- With passengers or cargo
- Other: \_\_\_\_\_
- After driving \_\_\_\_ miles or \_\_\_\_ minutes

### IV. WHAT TYPE OF NOISE

- Squeak (like tennis shoes on a clean floor)
- Creak (like walking on an old wooden floor)
- Rattle (like shaking a baby rattle)
- Knock (like a knock at the door)
- Tick (like a clock second hand)
- Thump (heavy muffled knock noise)
- Buzz (like a bumble bee)

### TO BE COMPLETED BY DEALERSHIP PERSONNEL

#### Test Drive Notes:

---

---

---

	YES	NO	Initials of person performing
Vehicle test driven with customer	<input type="checkbox"/>	<input type="checkbox"/>	_____
- Noise verified on test drive	<input type="checkbox"/>	<input type="checkbox"/>	_____
- Noise source located and repaired	<input type="checkbox"/>	<input type="checkbox"/>	_____
- Follow up test drive performed to confirm repair	<input type="checkbox"/>	<input type="checkbox"/>	_____

VIN: \_\_\_\_\_ Customer Name \_\_\_\_\_  
W.O.# \_\_\_\_\_ Date: \_\_\_\_\_

This form must be attached to Work Order

LAI0071E

A  
B  
C  
D  
E  
F  
G  
H  
EI  
J  
K  
L  
M  
N  
O  
P

# CLIP AND FASTENER


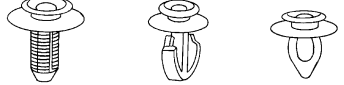


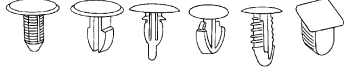
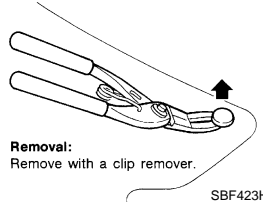

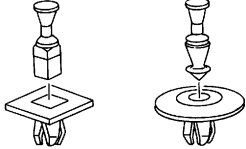
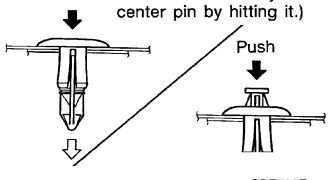
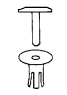
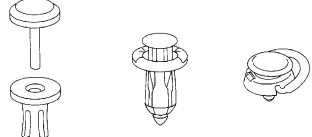
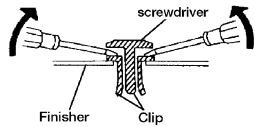

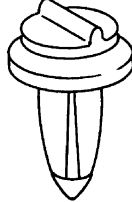
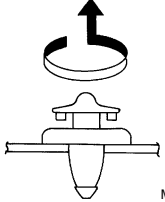

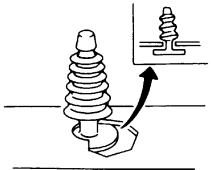
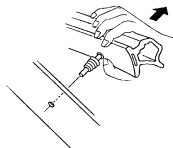
< SERVICE INFORMATION >

## CLIP AND FASTENER

### Description

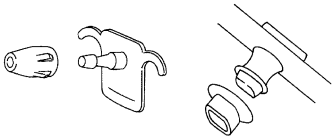
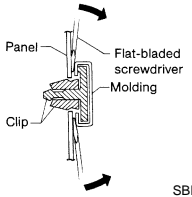

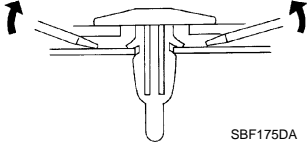

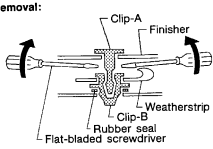

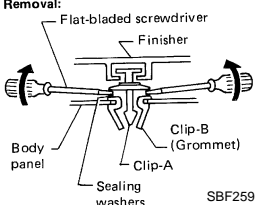
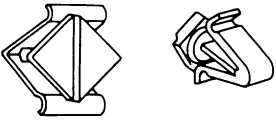
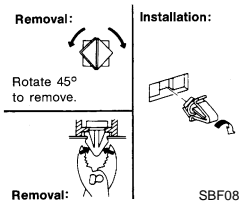
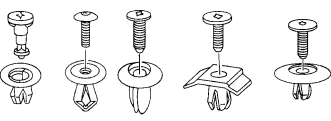
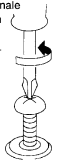
INFOID:000000001721192

- Clips and fasteners in EI section correspond to the following numbers and symbols.
- Replace any clips and/or fasteners which are damaged during removal or installation.

Symbol No.	Shapes	Removal & Installation
<p>C101</p> 	 <p>SBF302H</p>	<p><b>Removal:</b> Remove by bending up with flat-bladed screwdrivers or clip remover.</p>  <p>SBF367BA</p>
<p>C103</p> 	 <p>SBT095</p>	 <p><b>Removal:</b> Remove with a clip remover.</p> <p>SBF423H</p>
<p>C203</p> 	 <p>SBF258G</p>	 <p>center pin by hitting it.) Push</p> <p>SBF708E</p>
<p>C205</p> 	 <p>MBT080A</p>	<p><b>Removal:</b></p>  <p>Flat-bladed screwdriver Finisher Clip</p> <p>SBF638CA</p>
<p>C206</p> 	 <p>MBF519B</p>	 <p>MBF520B</p>
<p>CE103</p> 	 <p>SBF104B</p>	<p><b>Removal:</b></p>  <p>SBF147B</p>

# CLIP AND FASTENER

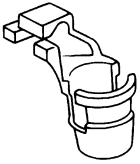
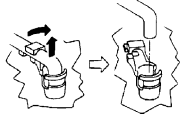

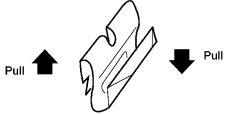
## < SERVICE INFORMATION >

Symbol No.	Shapes	Removal & Installation
CE107	 <p style="text-align: center;">SBF411H</p>	 <p style="text-align: right;">SBF767B</p>
CE117	 <p style="text-align: center;">SBF174D</p>	<p><b>Removal:</b> Remove by bending up with a flat-bladed screwdriver or pliers.</p>  <p style="text-align: right;">SBF175DA</p>
CF110	 <p style="text-align: center;">SBF648B</p>	<p><b>Removal:</b></p>  <p style="text-align: right;">SBF649B</p>
CF118	 <p style="text-align: center;">SBF151D</p>	<p><b>Removal:</b></p>  <p style="text-align: right;">SBF259G</p>
CG101	 <p style="text-align: center;">SBF145B</p>	<p><b>Removal:</b> Rotate 45° to remove.</p> <p><b>Installation:</b></p>  <p style="text-align: right;">SBF085B</p>
CS101	 <p style="text-align: center;">SBF078B</p>	<p><b>Removal:</b></p> <ol style="list-style-type: none"> <li>Screw out with a Phillips screwdriver.</li> <li>Remove female portion with flat-bladed screwdriver.</li> </ol>  <p style="text-align: right;">SBF992G</p>

A  
B  
C  
D  
E  
F  
G  
H  
EI  
J  
K  
L  
M  
N  
O  
P

# CLIP AND FASTENER

## < SERVICE INFORMATION >

Symbol No.	Shapes	Removal & Installation
CR103	 <p style="text-align: center;">SBF768B</p>	<p><b>Removal:</b> Holder portion of clip must be spread out to remove rod.</p>  <p style="text-align: right;">SBF770B</p>
Metal Clip	 <p style="text-align: center;">WBT072</p>	<p><b>Removal:</b></p>  <p style="text-align: right;">WBT073</p>

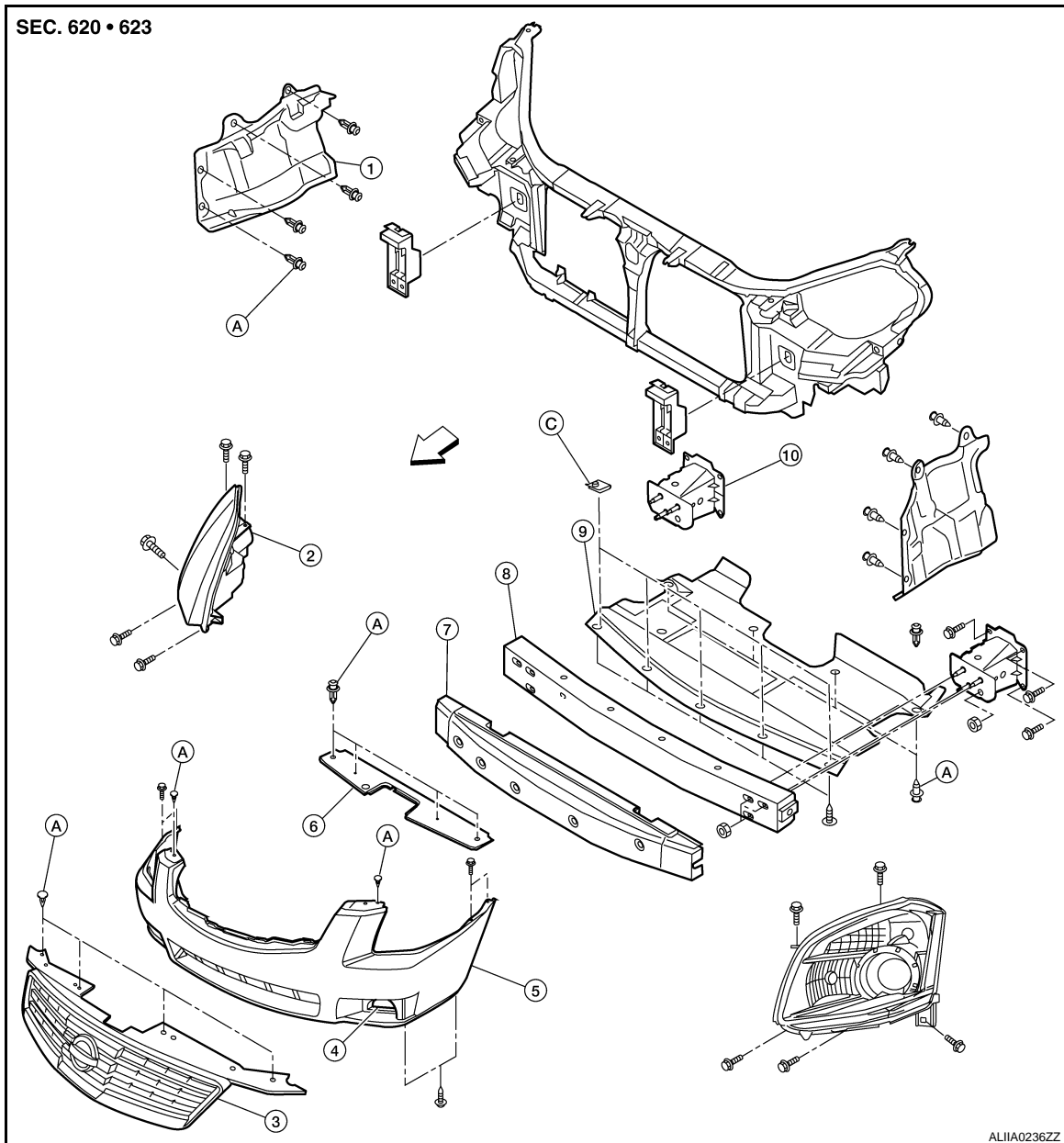
# FRONT BUMPER

< SERVICE INFORMATION >

## FRONT BUMPER

### Removal and Installation

INFOID:000000001721193



- |                           |                               |                      |
|---------------------------|-------------------------------|----------------------|
| 1. Side splash cover      | 2. Front combination lamp     | 3. Front grille      |
| 4. Fog lamp               | 5. Front bumper fascia        | 6. Grille top cover  |
| 7. Energy absorbing foam  | 8. Front bumper reinforcement | 9. Engine undercover |
| 10. Front bumper supports | A. Clip C205                  | B. Clip C103         |
| C. Spring nut             | ← Vehicle front               |                      |

### REMOVAL

1. Remove grille top cover.
2. Remove front grille. Refer to [EI-17](#).
3. Remove front bumper fascia screws, then partially remove front fender protector RH/LH. Refer to [EI-20](#).
4. Remove side splash cover.
5. Remove engine undercover.

A  
B  
C  
D  
E  
F  
G  
H  
EI  
J  
K  
L  
M  
N  
O  
P

## FRONT BUMPER

### < SERVICE INFORMATION >

---

6. Disconnect fog lamp wire harness in front bumper fascia.
7. Remove front bumper fascia.
8. Pull off energy absorbing foam from front bumper.
9. Disconnect ambient temperature sensor wiring harness.
10. Remove front bumper reinforcement.
11. Remove front bumper supports.
12. Disconnect wire harness and remove front combination lamp RH/LH. Refer to [LT-32, "Removal and Installation"](#).

### INSTALLATION

Installation is in the reverse order of removal.

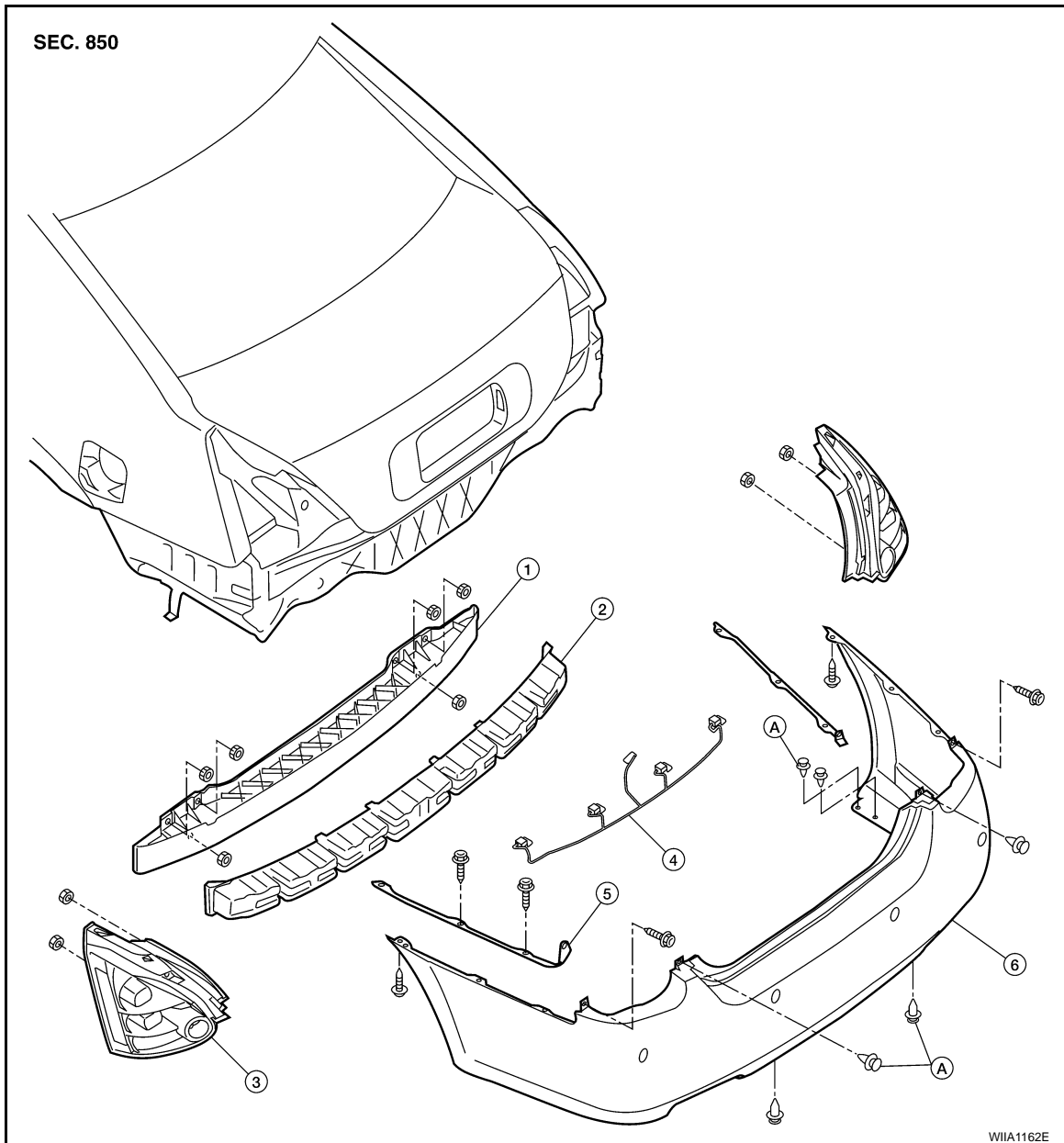
# REAR BUMPER

< SERVICE INFORMATION >

## REAR BUMPER

### Removal and Installation

INFOID:000000001721194



- |                                       |                             |                          |
|---------------------------------------|-----------------------------|--------------------------|
| 1. Rear bumper reinforcement          | 2. Energy absorbing foam    | 3. Rear combination lamp |
| 4. Sonar sensor harness (if equipped) | 5. Rear bumper side bracket | 6. Rear bumper fascia    |
| A. Clip C205                          |                             |                          |

### REMOVAL

1. Remove rear trunk plate, then partially remove trunk side finishers. Refer to [EI-39](#).
2. Remove rear combination lamp RH/LH. Refer to [LT-109](#).
3. Disconnect sonar sensor harness connector(if equipped)
4. Remove rear bumper fascia.
  - If fascia is to be replaced, remove bracket from fascia.
5. Remove energy absorber from rear bumper reinforcement.
6. Remove rear bumper reinforcement.

A  
B  
C  
D  
E  
F  
G  
H  
EI  
J  
K  
L  
M  
N  
O  
P

## REAR BUMPER

< SERVICE INFORMATION >

---

### INSTALLATION

Installation is in the reverse order of removal.



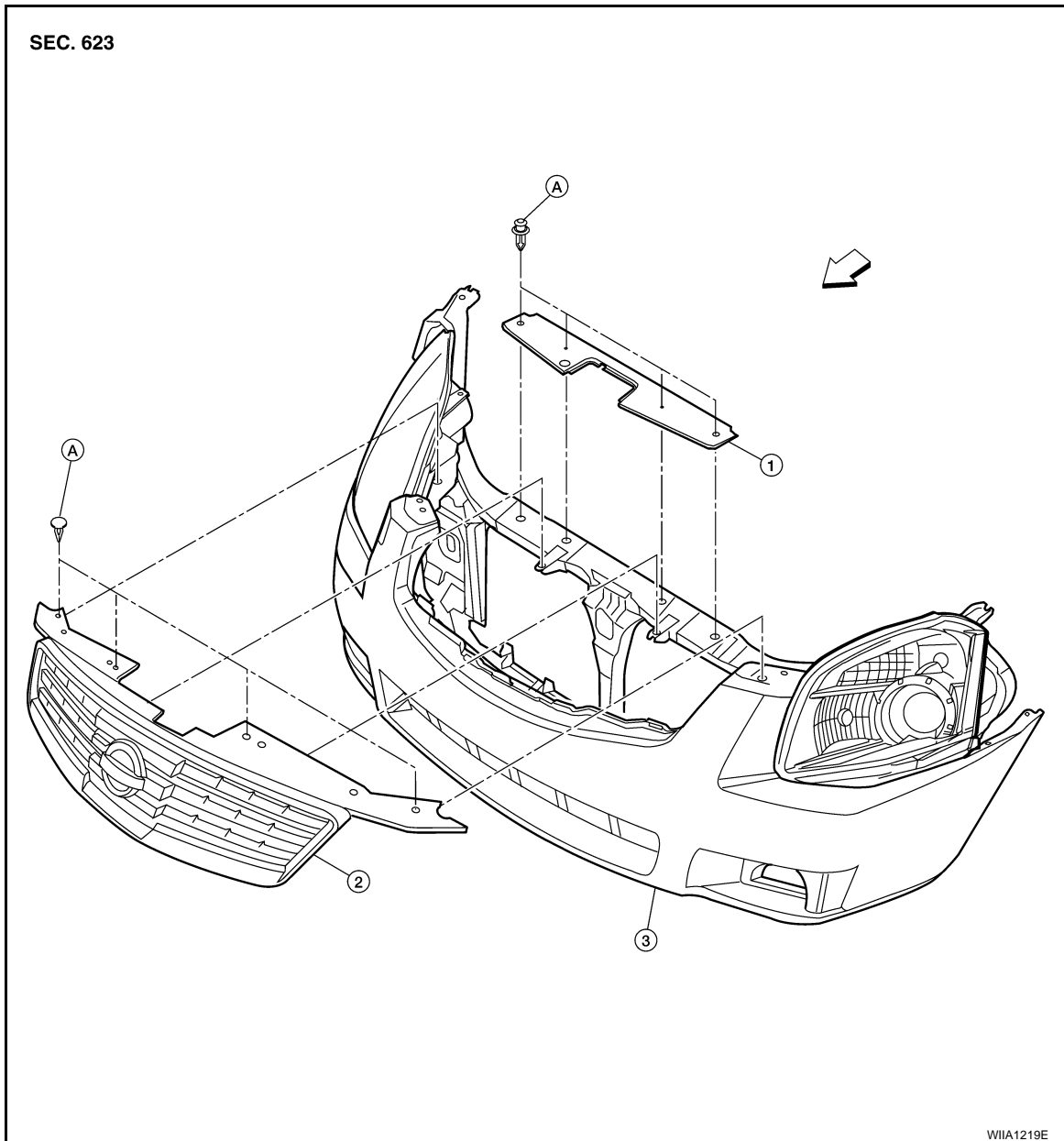
# FRONT GRILLE

< SERVICE INFORMATION >

## FRONT GRILLE

### Removal and Installation

INFOID:000000001721195



1. Grille top cover

2. Front grille

3. Front bumper fascia

A. Clip C205

← Vehicle front

### REMOVAL

1. Remove the clips, then remove grille top cover.
2. Remove the front grille clips.
3. Release the tabs near lower edge and remove front grille.

### INSTALLATION

Installation is in the reverse order of removal.

A  
B  
C  
D  
E  
F  
G  
H  
EI  
J  
K  
L  
M  
N  
O  
P

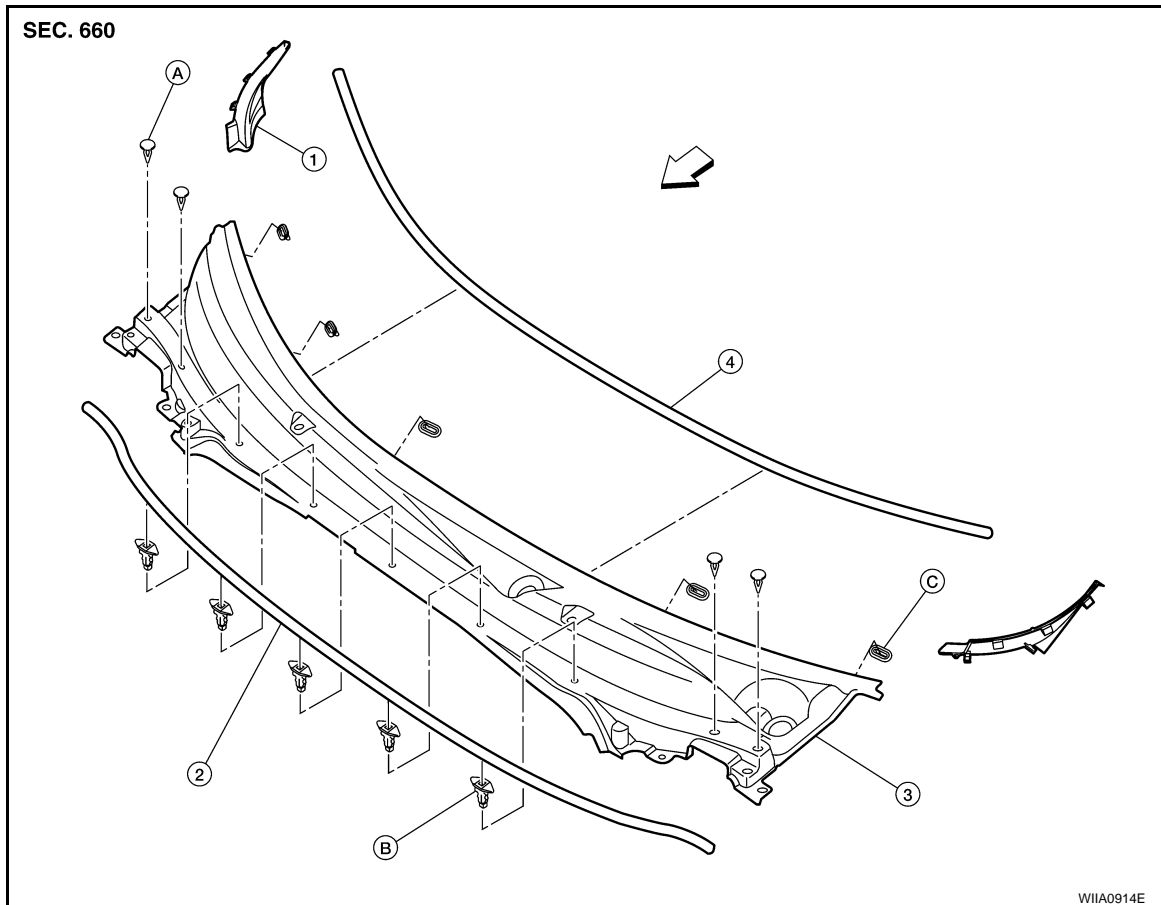
# COWL TOP

< SERVICE INFORMATION >

## COWL TOP

### Removal and Installation

INFOID:000000001721196



- |                  |                           |               |
|------------------|---------------------------|---------------|
| 1. Fender cover  | 2. Cowl weatherstrip seal | 3. Cowl top   |
| 4. Cowl top seal | A. Clip C103              | B. Clip CE103 |
| C. Grommet       | ← Vehicle front           |               |

### REMOVAL

1. Remove wiper arms RH/LH from the vehicle. Refer to [WW-15, "Front Wiper Arms"](#).
2. Remove fender covers.
3. Remove cowl top clips, then partially lift cowl top for access.
4. Disconnect windshield washer tube. Refer to [WW-18, "Washer Tube Layout"](#).
5. Remove cowl top seal and weatherstrip seal.
6. Remove cowl top.
7. Remove windshield washer nozzles and hoses from cowl top.

### INSTALLATION

Installation is in the reverse order of removal.

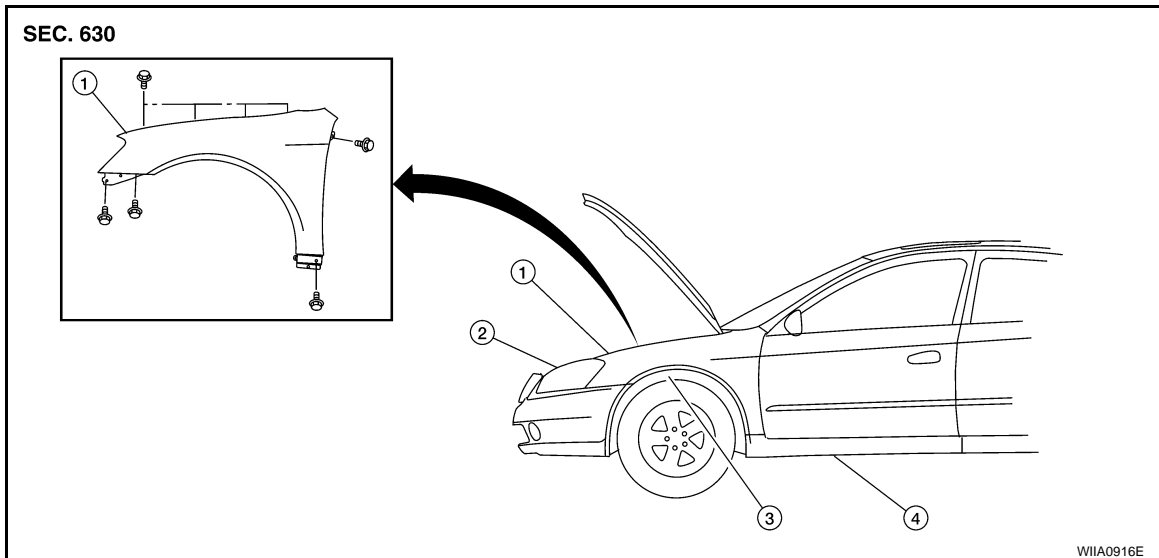
# FRONT FENDER

< SERVICE INFORMATION >

## FRONT FENDER

### Removal and Installation

INFOID:000000001721197



- 1. Front fender
- 2. Front combination lamp
- 3. Front fender protector
- 4. Center mudguard

### REMOVAL

1. Remove front combination lamp. Refer to [LT-32, "Removal and Installation"](#).
2. Remove front fender protector. Refer to [EI-21, "Removal and Installation"](#).
3. Remove front portion of center mud guard. Refer to [EI-22, "Removal and Installation"](#).
4. Remove front fender.

### INSTALLATION

Installation is in the reverse order of removal.

A  
B  
C  
D  
E  
F  
G  
H  
I  
J  
K  
L  
M  
N  
O  
P

EI

# FENDER PROTECTOR

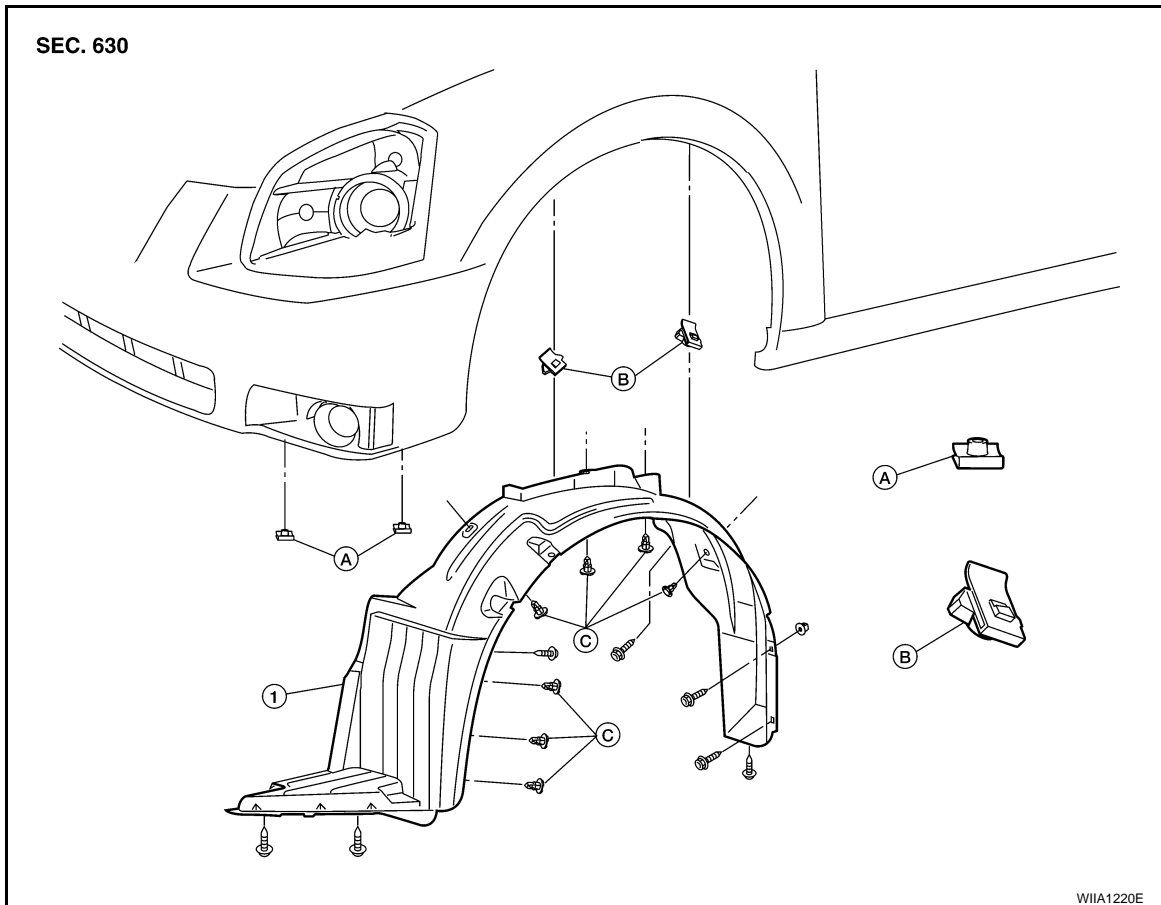
< SERVICE INFORMATION >

## FENDER PROTECTOR

Component

INFOID:000000001721198

Front



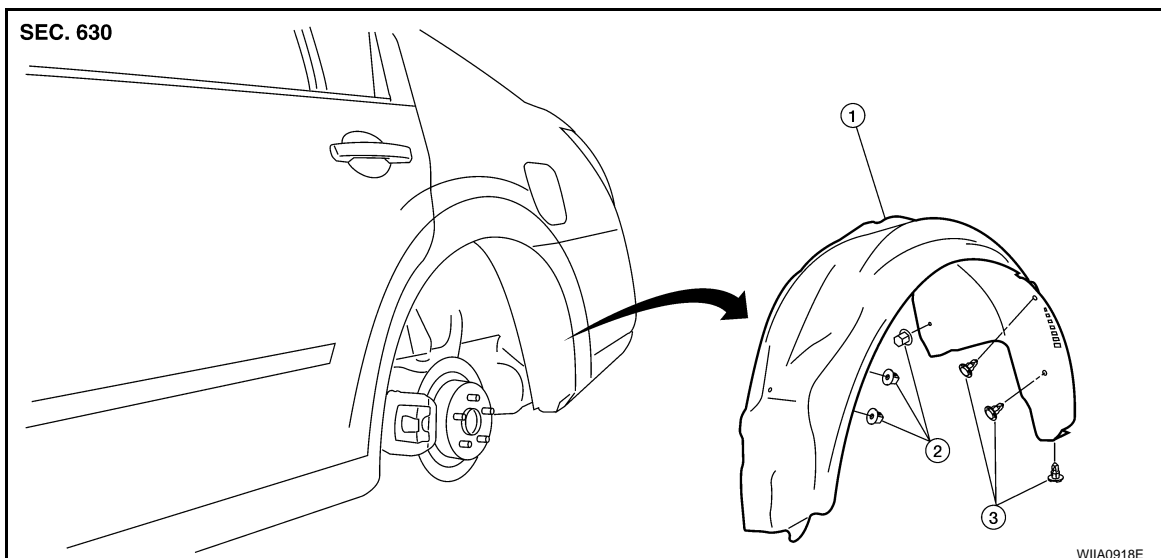
1. Front fender protector

A. J-clip

B. Clip

C. Pushpin C205

Rear



1. Rear fender protector

2. Push nut

3. Pushpin C205

# FENDER PROTECTOR

< SERVICE INFORMATION >

## Removal and Installation

INFOID:000000001721199

### FRONT FENDER PROTECTOR

#### Removal

1. Remove front fender protector screws.
2. Remove pushpins.
3. Remove clips.
4. Remove front fender protector.

#### Installation

Installation is in the reverse order of removal.

### REAR FENDER PROTECTOR

#### Removal

1. Remove rear fender protector push nuts.
2. Remove pushpins.
3. Remove rear fender protector.

#### Installation

Installation is in the reverse order of removal.

A

B

C

D

E

F

G

H

EI

J

K

L

M

N

O

P

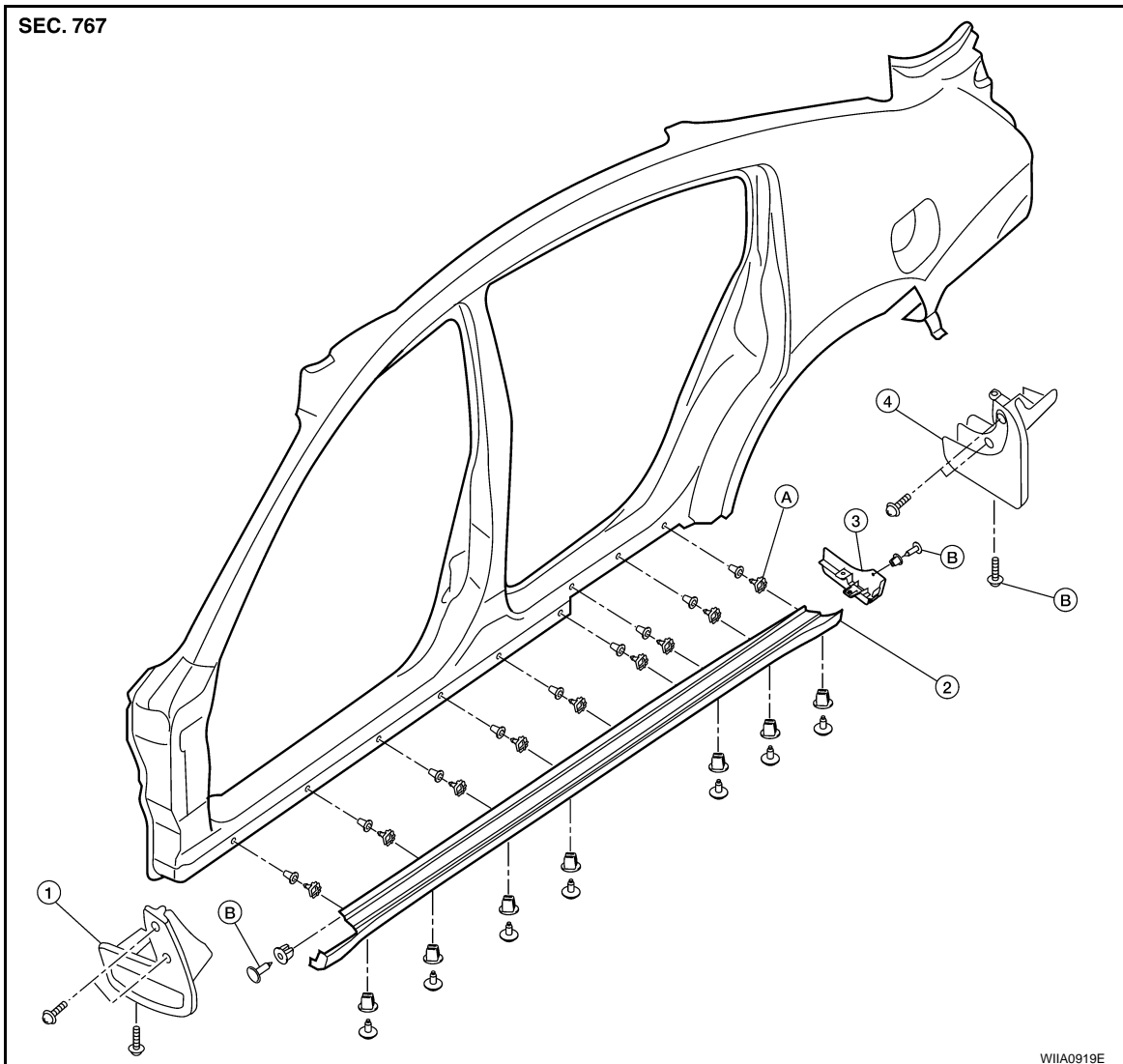
# MUDGUARD

< SERVICE INFORMATION >

## MUDGUARD

### Removal and Installation

INFOID:000000001721200



- |                   |                    |              |
|-------------------|--------------------|--------------|
| 1. Front mudguard | 2. Center mudguard | 3. End cap   |
| 4. Rear mudguard  | A. Clip CF118      | B. Clip C205 |

#### REMOVAL

1. Remove front mudguard screws, then remove front mudguard.
2. Remove center mudguard screws.
3. Release clips.
4. Remove center mudguard.
5. Remove rear mudguard screws and release clip.
6. Remove rear mudguard.

#### INSTALLATION

Installation is in the reverse order of removal.

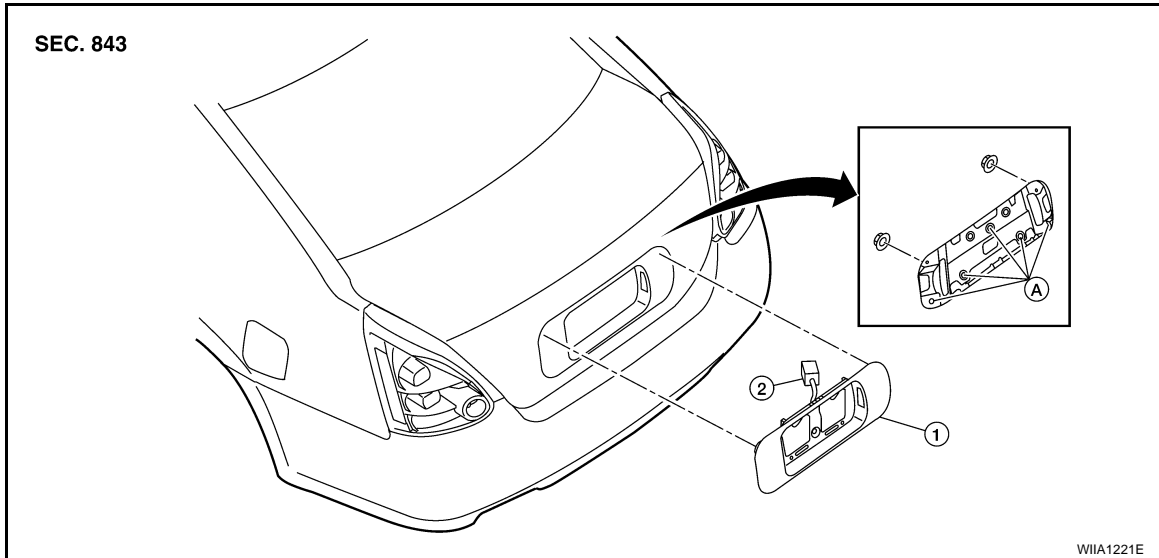
# LICENSE LAMP FINISHER

< SERVICE INFORMATION >

## LICENSE LAMP FINISHER

### Removal and Installation

INFOID:000000001721201



1. License lamp finisher

2. Trunk opener request switch

Clip C101

#### REMOVAL

1. Remove trunk lid finisher. Refer to [EI-39](#).
2. Remove license lamp finisher nuts and release clips.
3. Disconnect trunk opener request switch connector, then remove license lamp finisher.

#### INSTALLATION

Installation is in the reverse order of removal.

A  
B  
C  
D  
E  
F  
G  
H  
I  
J  
K  
L  
M  
N  
O  
P

EI

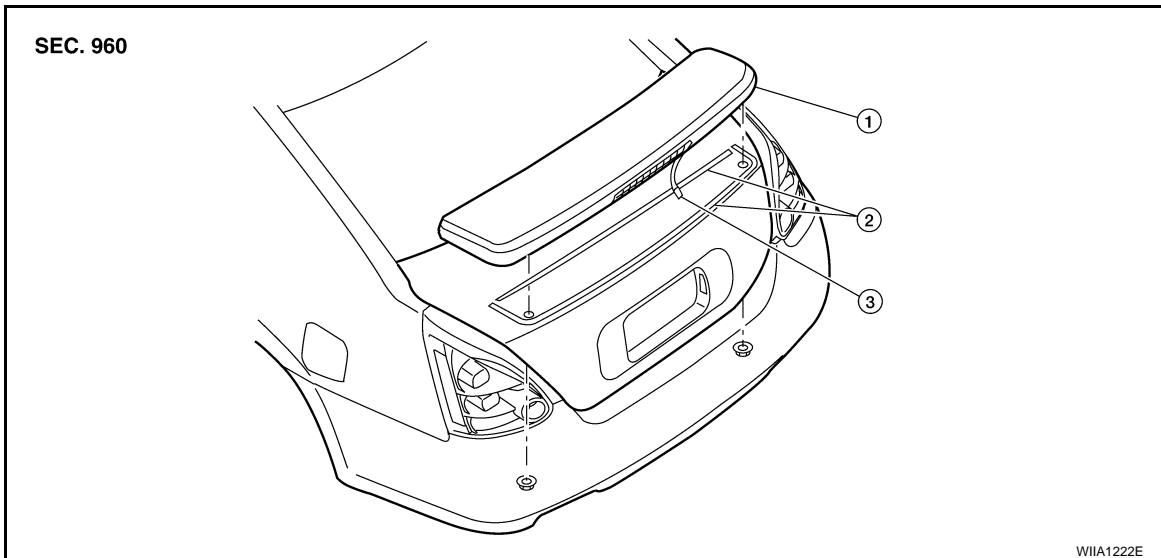
# REAR AIR SPOILER

< SERVICE INFORMATION >

## REAR AIR SPOILER

### Removal and Installation

INFOID:000000001721202



1. Rear air spoiler
2. Foam tape
3. Center high mount stop lamp connector

#### REMOVAL

1. Remove trunk lid finisher. Refer to [EI-39](#).
2. Remove three nuts attaching spoiler to trunk lid.
3. Using a trim stick, carefully remove spoiler by prying adhesive free.

**CAUTION:**

**Use care not to damage paint on trunk and not to damage spoiler if it is to be replaced.**

4. Disconnect the center high mount stop lamp connector, then remove the rear air spoiler.

#### INSTALLATION

Installation is in the reverse order of removal.

**NOTE:**

- When installing, make sure that there are not any gaps or waves at the ends of the spoiler.
- Before installing spoiler, clean surface where spoiler will be mounted with isopropyl alcohol or equivalent to degrease the surface.



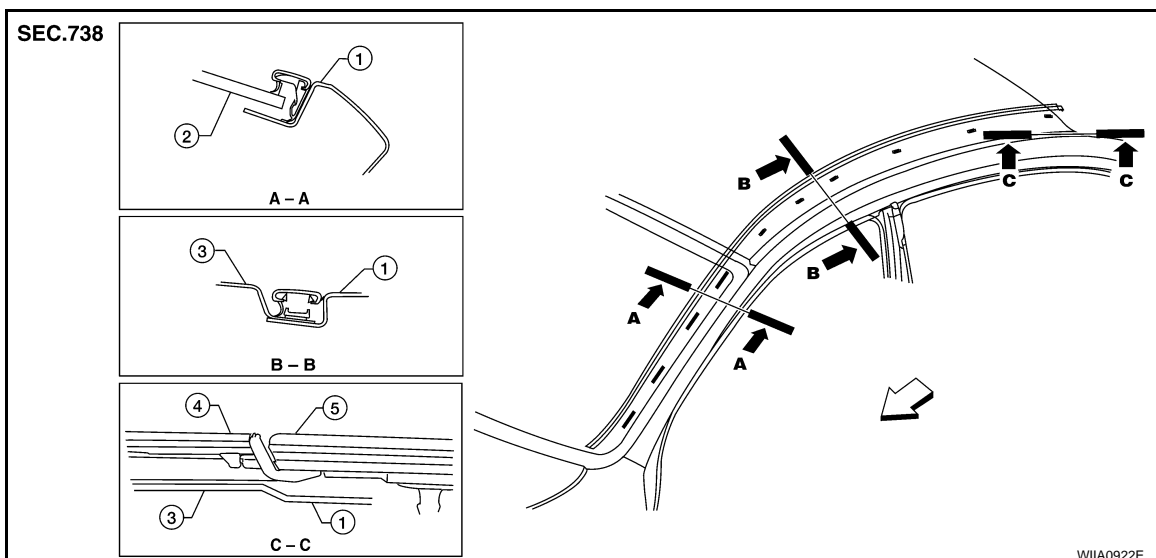
# ROOF SIDE MOLDING

< SERVICE INFORMATION >

## ROOF SIDE MOLDING

### Removal and Installation

INFOID:000000001721203



- |                          |                         |         |
|--------------------------|-------------------------|---------|
| 1. Body outer side panel | 2. Windshield           | 3. Roof |
| 4. Roof side molding     | 5. Rear pillar finisher |         |

#### REMOVAL

##### **CAUTION:**

**Never apply tack-paper adhesive remover to body panel surface finished with lacquer-based paints.**

• **Original roof side molding may be affixed to body panel with double-faced adhesive tape.**

1. Remove rear pillar finisher. Refer to [EI-26](#).
2. Heat molding (if necessary) to between 30° and 40°C (86° to 104°F) with a heat gun.
3. Lift rear edge of molding from body panel surface and cut away adhesive tape while working forward.
4. Disconnect clips, and remove roof side molding.
  - Remove all traces of adhesive tape from surfaces.

#### INSTALLATION

- On vehicles coated with Hard Clear Coat, use double-faced 3M adhesive tape Product No. 4210 or equivalent, after priming with 3M primer Product No. N200 or C-100 or equivalent.
- The repair parts are also affixed with double-faced adhesive tape.
- To re-use existing molding, clean all traces of double sided tape from the molding and apply new double-faced tape to the molding.

1. Clean the panel surface with isopropyl alcohol or equivalent to degrease the surface.
2. Heat the panel and molding tape surface to 30° to 40°C (86° to 104°F).
3. Remove the backing sheet from the tape surface.
4. Align clips as necessary, then use a roller to apply 5 kg-f (11 lbs.-ft) and press molding to surface.

##### **CAUTION:**

**To secure contact, do not wash vehicle for 24 hours after installation.**

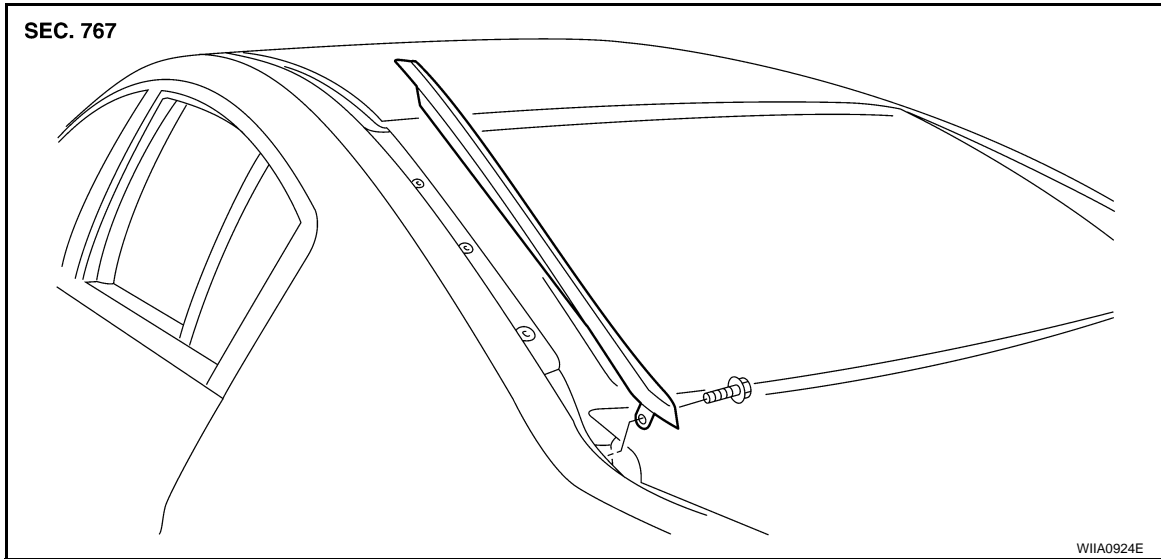
# REAR PILLAR FINISHER

< SERVICE INFORMATION >

## REAR PILLAR FINISHER

### Removal and Installation

INFOID:000000001721204



#### REMOVAL

1. Open trunk lid.
2. Remove screw in bottom corner of rear pillar finisher.
3. Using a trim stick, release clips and remove finisher.

#### INSTALLATION

Installation is in the reverse order of removal.

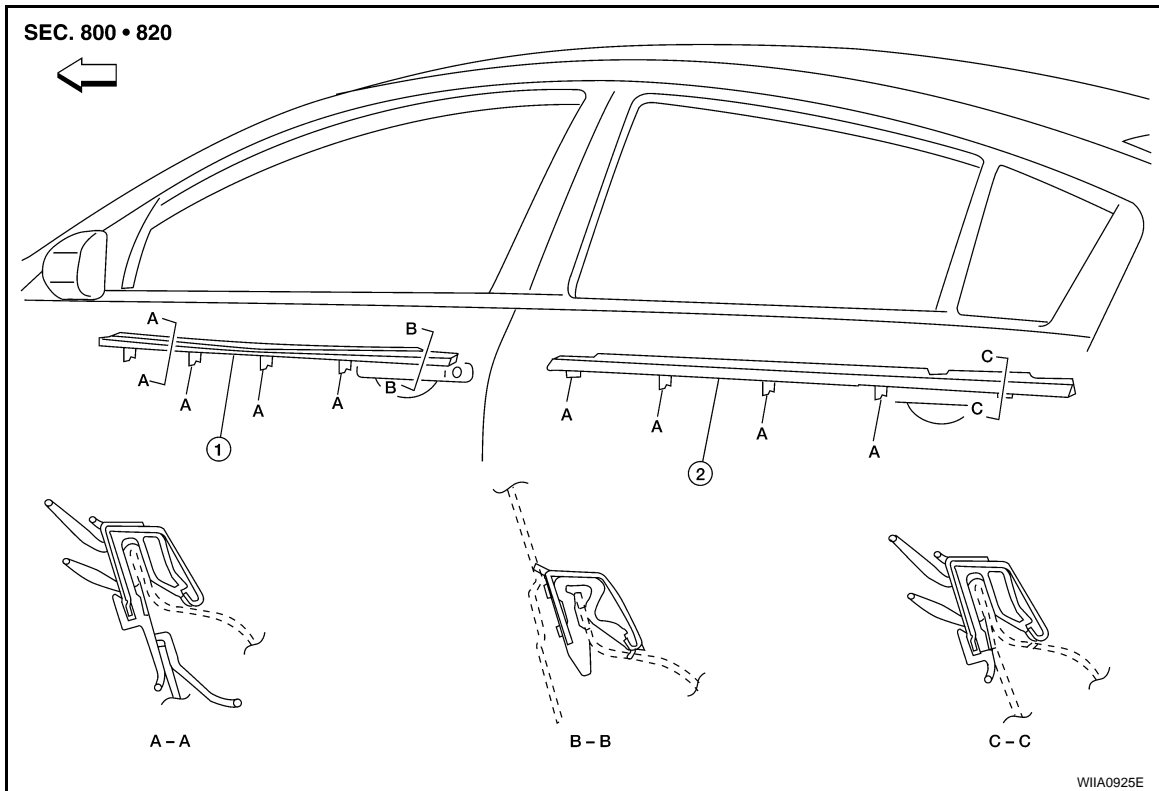
# DOOR OUTSIDE MOLDING

< SERVICE INFORMATION >

## DOOR OUTSIDE MOLDING

### Removal and Installation

INFOID:000000001721205



1. Front door outside molding      2. Rear door outside molding      ← Vehicle front

### Front Door Outside Molding

#### Removal

1. Open windows fully.
2. Lift and twist molding beginning at rear edge, disconnect clips from flange and remove molding.

#### Installation

Installation is in the reverse order of removal.

### Rear Door Outside Molding

#### Removal

1. Open windows fully.
2. Lift and twist molding beginning at rear edge, disconnect clips from flange and remove molding.

#### Installation

Installation is in the reverse order of removal.

A  
B  
C  
D  
E  
F  
G  
H  
EI  
J  
K  
L  
M  
N  
O  
P

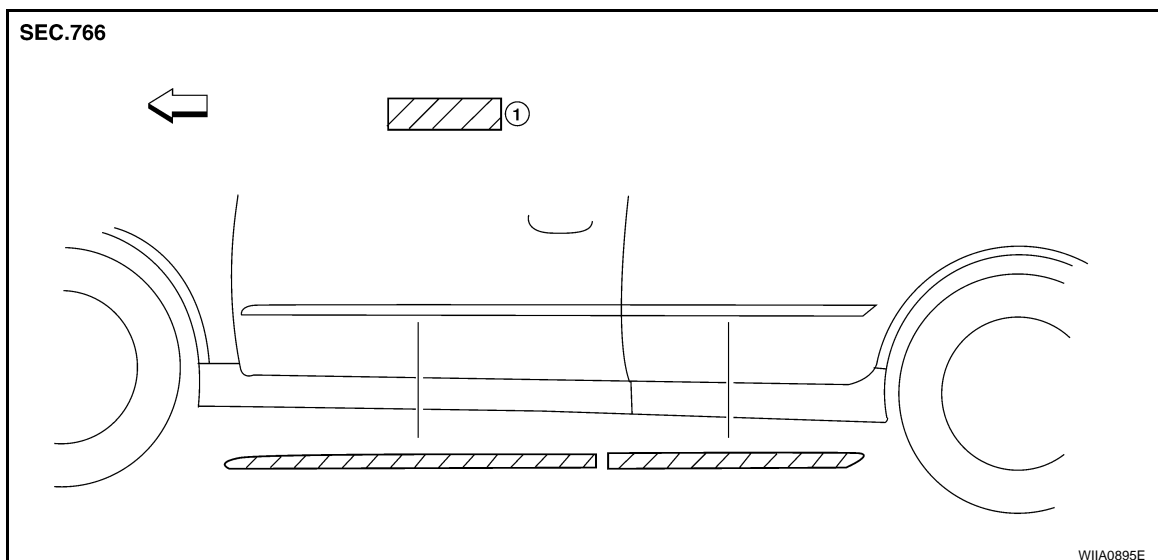
# SIDE GUARD MOLDING

< SERVICE INFORMATION >

## SIDE GUARD MOLDING

### Removal and Installation

INFOID:000000001721206



1. Double-faced adhesive tape      ← Vehicle front

#### Removal

##### **CAUTION:**

**Never apply tack-paper adhesive remover to body panel surface finished with lacquer-based paints.**

- Original side guard molding is affixed to body panel with double-faced adhesive tape.

1. Heat molding to between 30° and 40°C (86° to 104°F) with a heat gun.
2. Raise end of molding and cut away tape to remove molding.
3. Remove all traces of tape.

#### Installation

- On vehicles coated with Hard Clear Coat, use double-faced 3M adhesive tape Product No. 4210 or equivalent, after priming with 3M primer Product No. N200 or C-100 or equivalent.
- The repair parts are also affixed with double-faced adhesive tape.
- To re-use existing molding, clean all traces of double sided tape from the molding and apply new double-faced tape to the molding.

1. Clean the panel surface with isopropyl alcohol or equivalent to degrease the surface.
2. Heat the panel and molding tape surface to 30° to 40°C (86° to 104°F).
3. Remove the backing sheet from the tape surface.
4. Press ends by hand and use a roller to apply 5 kg-f (11 lbs.-f) to press molding to door surface.

##### **CAUTION:**

**To secure contact, do not wash vehicle for 24 hours after installation.**

# DOOR FINISHER

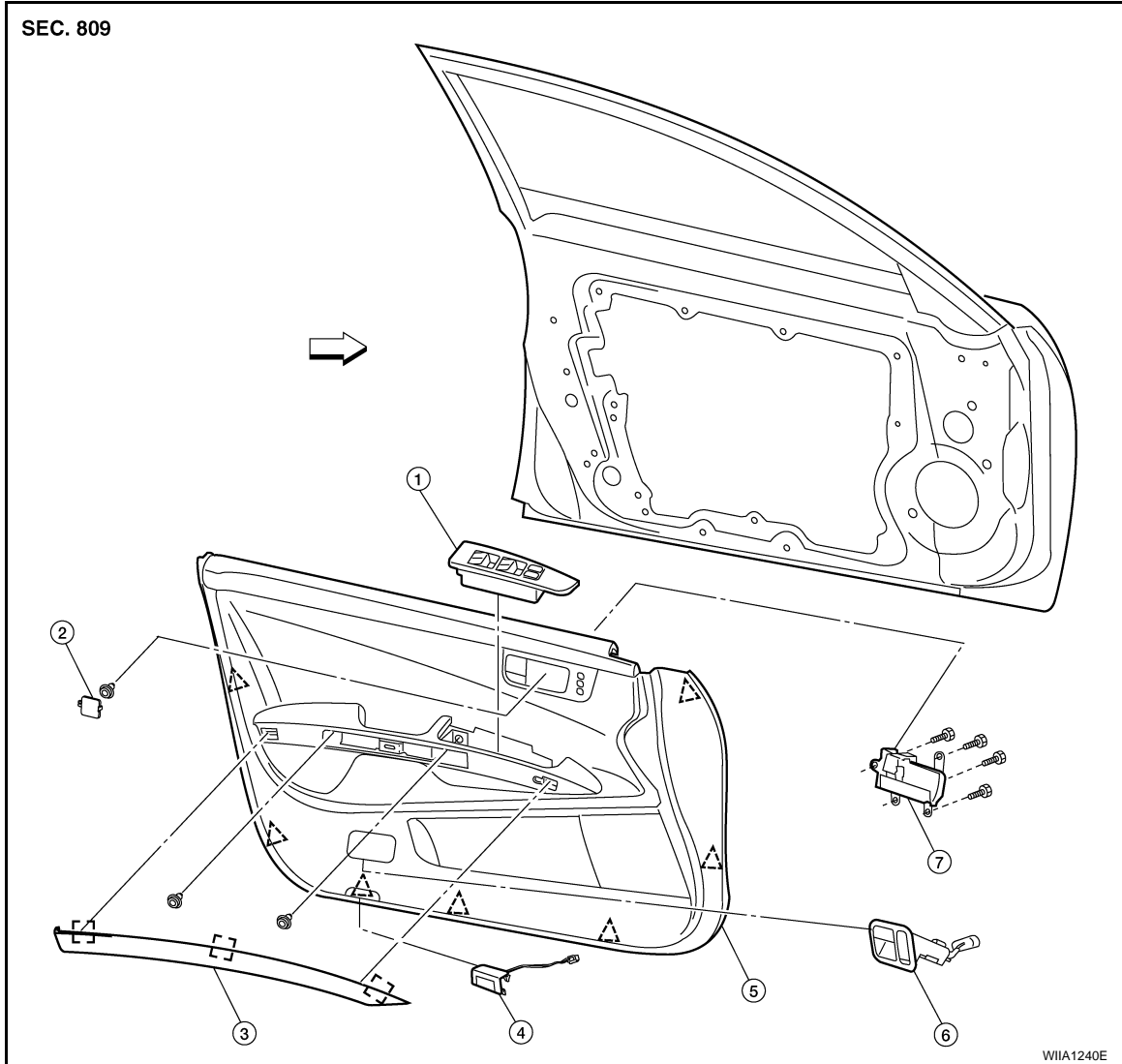
< SERVICE INFORMATION >

## DOOR FINISHER

### Removal and Installation

INFOID:000000001721207

#### FRONT DOOR



- |   |                        |  |
|---|------------------------|--|
| 1. Power window and door lock/unlock switch | 2. Cover               | 3. Trim molding                          |
| 4. Step lamp                                | 5. Front door finisher | 6. Trunk/fuel lid opener switch assembly |
| 7. Inside door handle assembly              | □ Metal clip           | △ Clip C101                              |
- ← Vehicle front

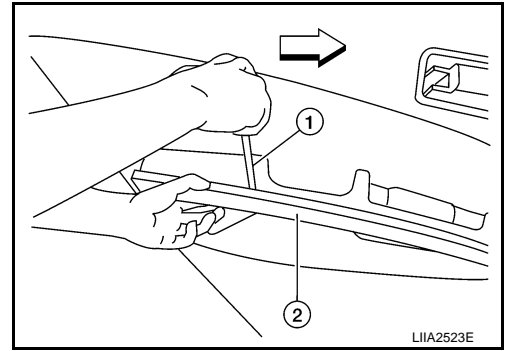
#### Removal

1. Disconnect the negative and positive battery cables, then wait at least 3 minutes.
2. Remove cover from inside door handle assembly escutcheon, then remove screw.
3. Remove power window and door lock/unlock switch and disconnect harnesses.
4. Remove trim molding from armrest.
  - Insert suitable non-metallic tool into pry slot at rear edge of trim molding and release first metal clip only.

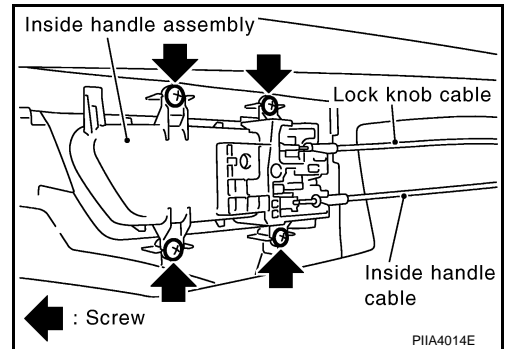
# DOOR FINISHER

## < SERVICE INFORMATION >

- Reposition tool (1) near pull handle and release additional clips working toward vehicle front until trim molding (2) is fully disengaged from front door finisher.



5. Remove front door finisher screws and release clips attaching door finisher to inner door.
6. Remove front door finisher.
7. Disconnect wire harness and remove step lamp.
8. Disconnect harness and remove trunk/fuel lid opener switch assembly.
9. Disconnect lock cable and handle cable and remove inside door handle assembly.



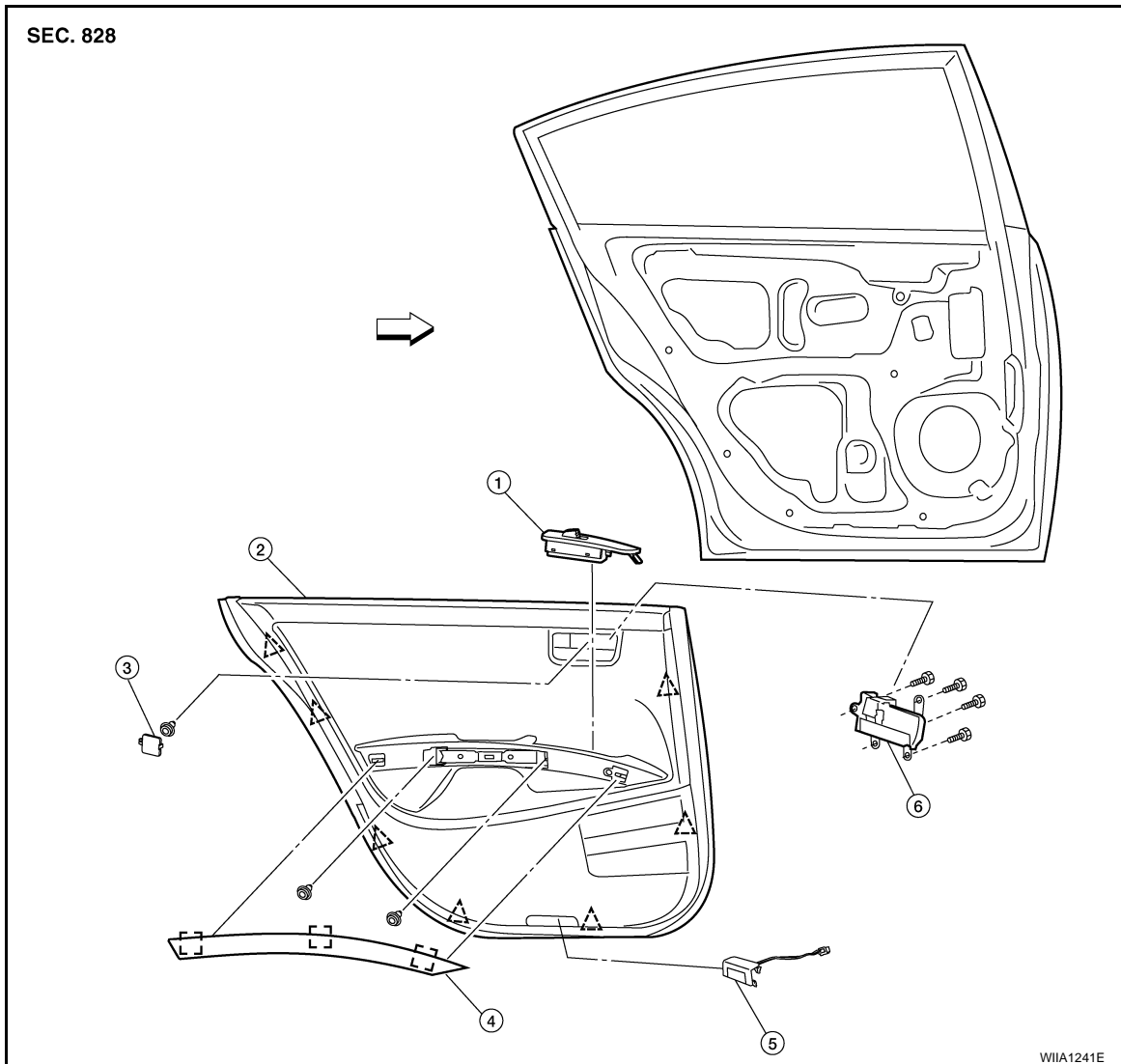
## Installation

Installation is in the reverse order of removal.

## REAR DOOR

# DOOR FINISHER

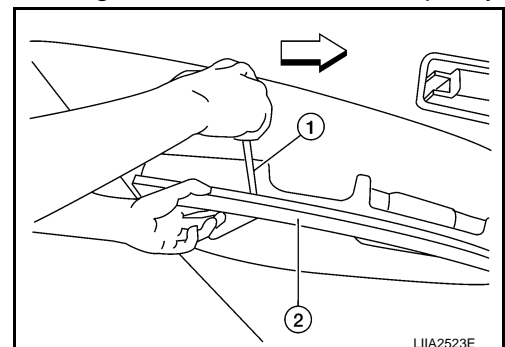
< SERVICE INFORMATION >



- |                             |                       |                                |
|-----------------------------|-----------------------|--------------------------------|
| 1. Rear power window switch | 2. Rear door finisher | 3. Cover                       |
| 4. Trim molding             | 5. Step lamp          | 6. Inside door handle assembly |
| ☐ Metal clip                | △ Clip C101           | ← Vehicle front                |

## Removal

1. Disconnect the negative and positive battery cables, then wait at least 3 minutes.
2. Remove cover from inside door handle assembly escutcheon, then remove screw.
3. Remove rear power window switch and disconnect harnesses.
4. Remove trim molding from armrest.
  - Insert suitable non-metallic tool into pry slot at rear edge of trim molding and release first metal clip only.
  - Reposition tool (1) near pull handle and release additional clips working toward vehicle front until trim molding (2) is fully disengaged from front door finisher.

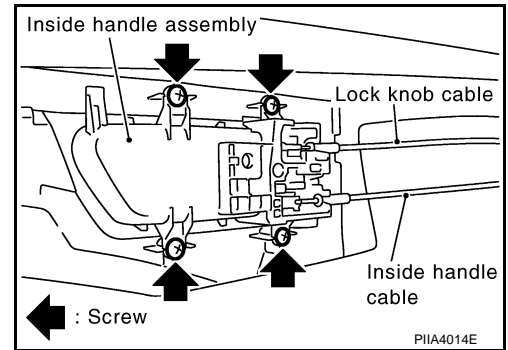


LIA2523E

## DOOR FINISHER

### < SERVICE INFORMATION >

5. Remove screws and release clips attaching door finisher to inner door.
6. Disconnect wire harness and remove step lamp.
7. Remove rear door finisher.
8. Disconnect lock cable and handle cable.



### Installation

Installation is in the reverse order of removal.



# BODY SIDE TRIM

< SERVICE INFORMATION >

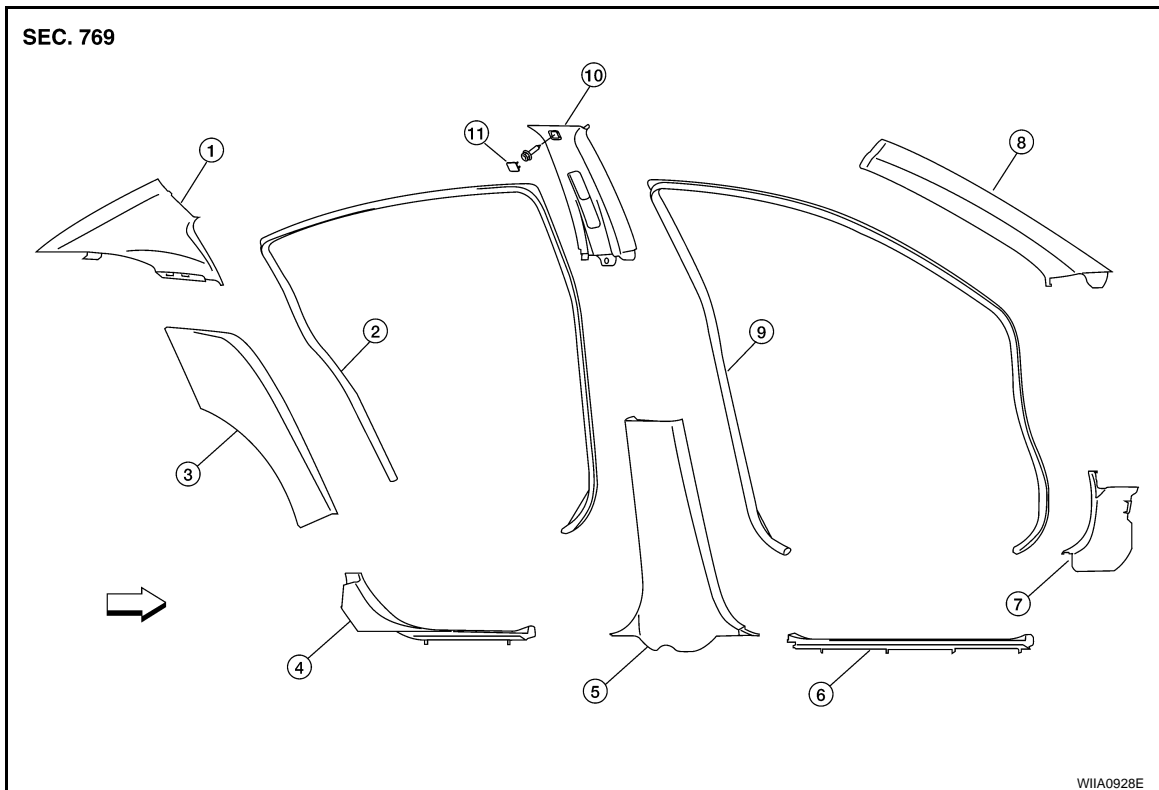
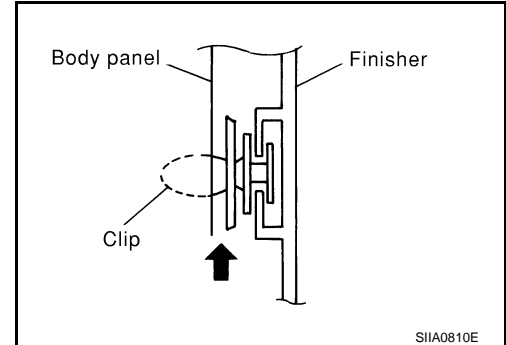
## BODY SIDE TRIM

### Removal and Installation

INFOID:000000001721208

#### CAUTION:

- When removing or installing body side welts, do not allow butyl seal to come in contact with pillar garnish.
- Insert screw driver rolled with cloth between panel on vehicle and clips (as indicated with arrow), and disconnect clips.



- |                                 |                                     |                         |
|---------------------------------|-------------------------------------|-------------------------|
| 1. Rear pillar garnish          | 2. Rear body side welt              | 3. Rear pillar finisher |
| 4. Rear kicking plate           | 5. Center pillar lower garnish      | 6. Front kicking plate  |
| 7. Dash side finisher           | 8. Front pillar garnish             | 9. Front body side welt |
| 10. Center pillar upper garnish | 11. Seat belt shoulder anchor cover | ⇐ Vehicle front         |

### CENTER PILLAR LOWER GARNISH

#### Removal

1. Remove front and rear kicking plates.
2. Remove center pillar lower garnish.

#### Installation

Installation is in the reverse order of removal.

## BODY SIDE TRIM

### < SERVICE INFORMATION >

---

#### CENTER PILLAR UPPER GARNISH

##### Removal

1. Remove seat belt shoulder anchor. Refer to [SB-3. "Removal and Installation of Front Seat Belt"](#).
2. Remove front and rear kicking plate.
3. Remove center pillar lower garnish.
4. Remove bolt covers and bolts.
5. Remove center pillar upper garnish.

##### Installation

Installation is in the reverse order of removal.

#### REAR PILLAR FINISHER

##### Removal

1. Remove bolt cover and bolt.
2. Remove rear pillar finisher.

##### Installation

Installation is in the reverse order of removal.

#### DASH SIDE FINISHER

##### Removal

1. Remove front kicking plate.
2. Remove dash side finisher.

##### Installation

Installation is in the reverse order of removal.

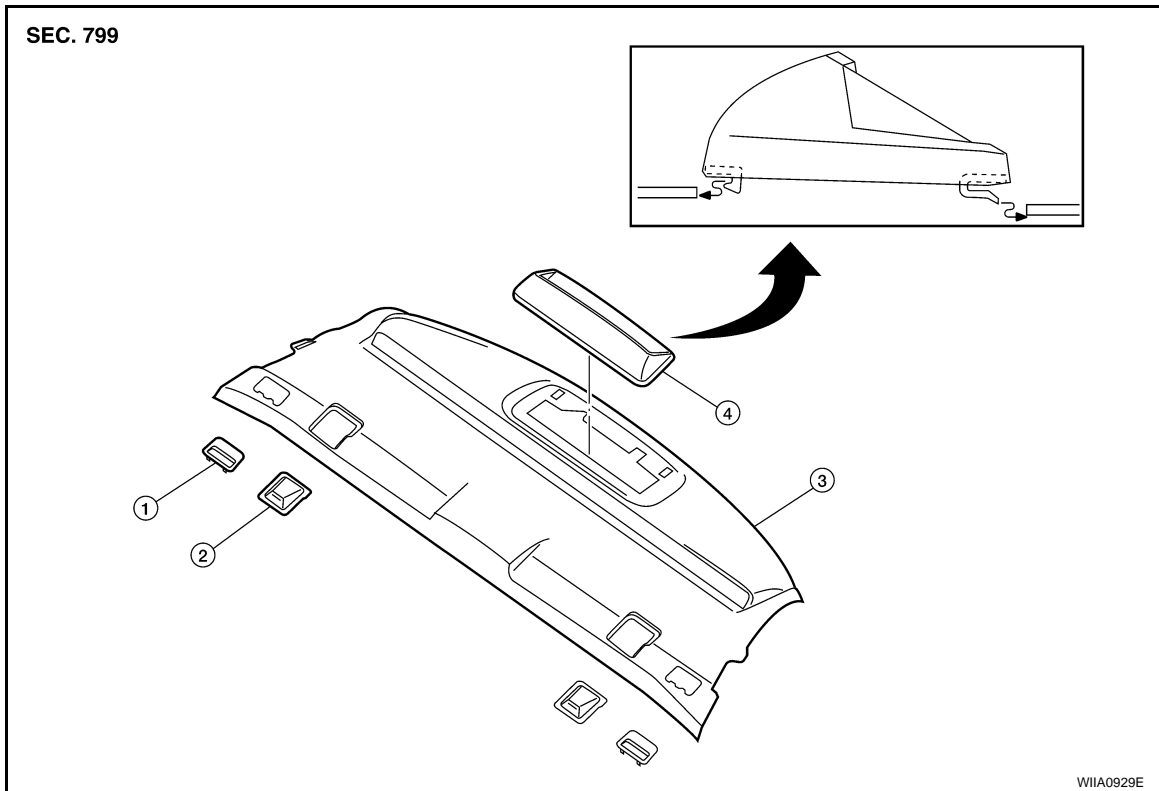
# REAR PARCEL SHELF FINISHER

< SERVICE INFORMATION >

## REAR PARCEL SHELF FINISHER

### Removal and Installation

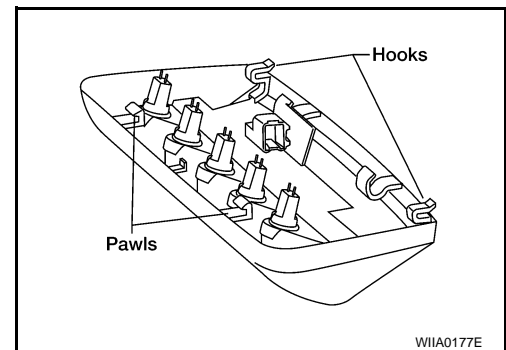
INFOID:000000001721209



1. Seat belt guide
2. Anchor cover
3. Rear parcel shelf finisher
4. High mounted stop lamp (if equipped)

### REMOVAL

1. Disconnect the negative and positive battery cables, then wait at least 3 minutes.
2. Remove rear seat. Refer to [SE-89](#).
3. Remove rear seat belt anchor bolts. Refer to [SB-4, "Removal and Installation of Rear Seat Belt"](#).
4. Remove inside rear pillar finisher. Refer to [EI-33](#).
5. Remove the high mounted stop lamp, then disconnect connector (if equipped).
6. Remove halo trim.
7. Remove rear parcel shelf finisher.



### INSTALLATION

Installation is in the reverse order of removal.

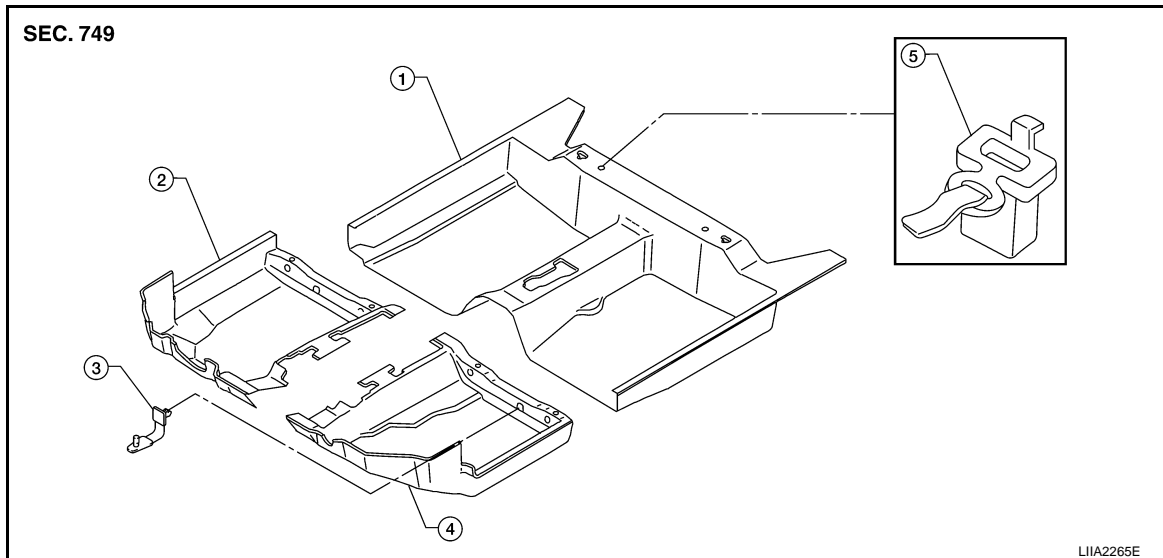
# FLOOR TRIM

< SERVICE INFORMATION >

## FLOOR TRIM

### Removal and Installation

INFOID:000000001721213



LIA2265E

- |                    |                           |                                      |
|--------------------|---------------------------|--------------------------------------|
| 1. Rear carpet     | 2. Front carpet RH        | 3. Service mat bracket (driver only) |
| 4. Front carpet LH | 5. Rear seat cushion hook |                                      |

### REMOVAL

1. Disconnect the negative and positive battery cables, then wait at least 3 minutes.
2. Remove lower body side trim. Refer to [EI-33](#).
3. Remove front seats. Refer to [SE-85](#).
4. Remove rear seat cushion. Refer to [SE-89](#).
  - On 4 seat model, remove seat backs.
5. Remove center console. Refer to [IP-10](#).
6. Remove lower seat belt anchors. Refer to [SB-3](#).
7. Remove service mat bracket.
8. Remove front carpet RH/LH.
9. Remove rear seat cushion hooks.
10. Remove rear carpet.

### INSTALLATION

Installation is in the reverse order of removal.

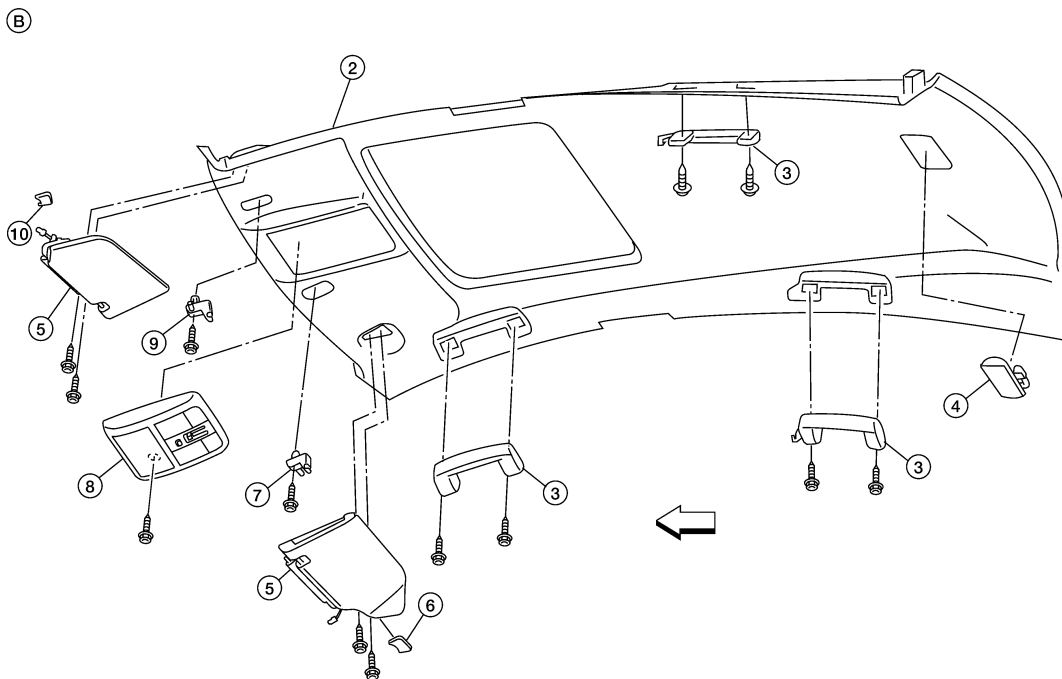
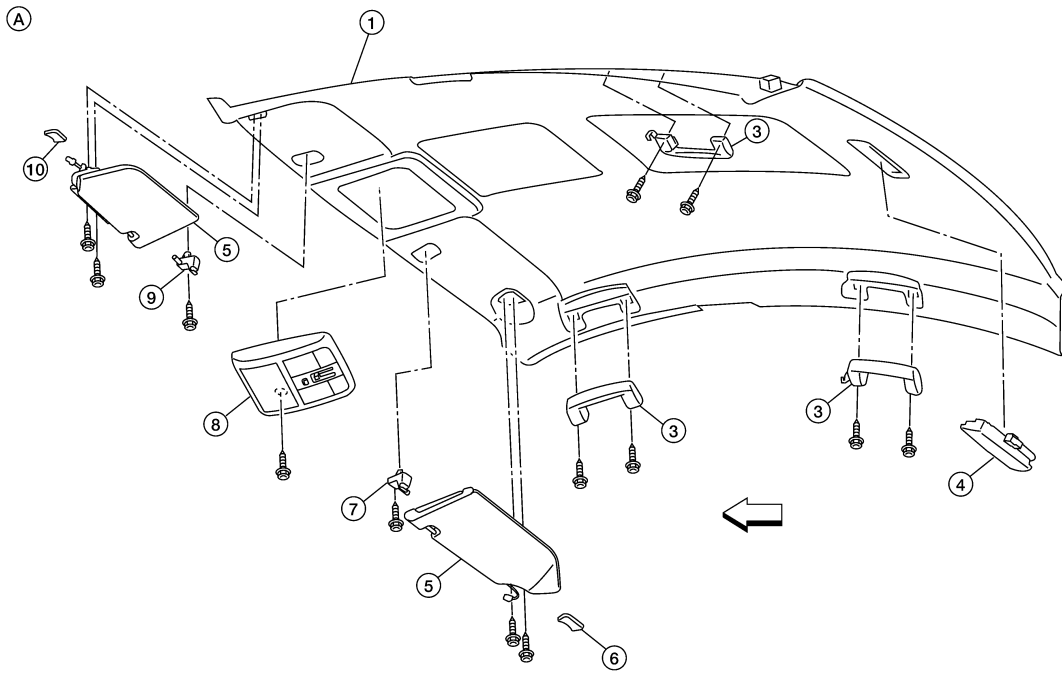
# HEADLINING

< SERVICE INFORMATION >

## HEADLINING

### Removal and Installation

INFOID:000000001721214



- |                                  |                                 |                                  |
|----------------------------------|---------------------------------|----------------------------------|
| 1. Headlining skyview roof       | 2. Headlining sun roof          | 3. Assist grips                  |
| 4. Interior lamp assembly        | 5. Sunvisor LH and RH           | 6. Cap, RH                       |
| 7. Holder, sunvisor assembly, LH | 8. Console assembly, roof       | 9. Holder, sunvisor assembly, LH |
| 10. Cap, LH                      | A. Headlining with skyview roof | B. Headlining with sunroof       |
- ← Vehicle front

WI1A1223E

### REMOVAL

A  
B  
C  
D  
E  
F  
G  
H  
EI  
J  
K  
L  
M  
N  
O  
P

## HEADLINING

< SERVICE INFORMATION >

---

### **CAUTION:**

**Disconnect both cables from battery and wait at least 3 minutes.**

1. Disconnect the negative and positive battery cables, then wait at least 3 minutes.
2. Remove front and rear door kicking plates. Refer to [EI-33](#).
3. Remove lower dash side trim. Refer to [EI-33](#).
4. Remove front pillar garnish, center pillar lower and upper garnish, and rear pillar garnish. Refer to [EI-33](#).
5. Remove front and rear door welts. Refer to [EI-33](#).
6. Remove assist grips.
7. Remove interior lamp assembly.
8. Remove roof console assembly.
9. Remove RH and LH caps from sunvisor brackets.
10. Remove screws from each sunvisor bracket and remove RH and LH sunvisor.
11. Remove sunvisor assembly holders.
12. Remove windshield garnish molding. Refer to [EI-33](#).
13. Remove clips attaching headlining to roof.
14. Take out headlining from the left rear door.

### INSTALLATION

Installation is in the reverse order of removal.

# TRUNK ROOM TRIM & TRUNK LID FINISHER

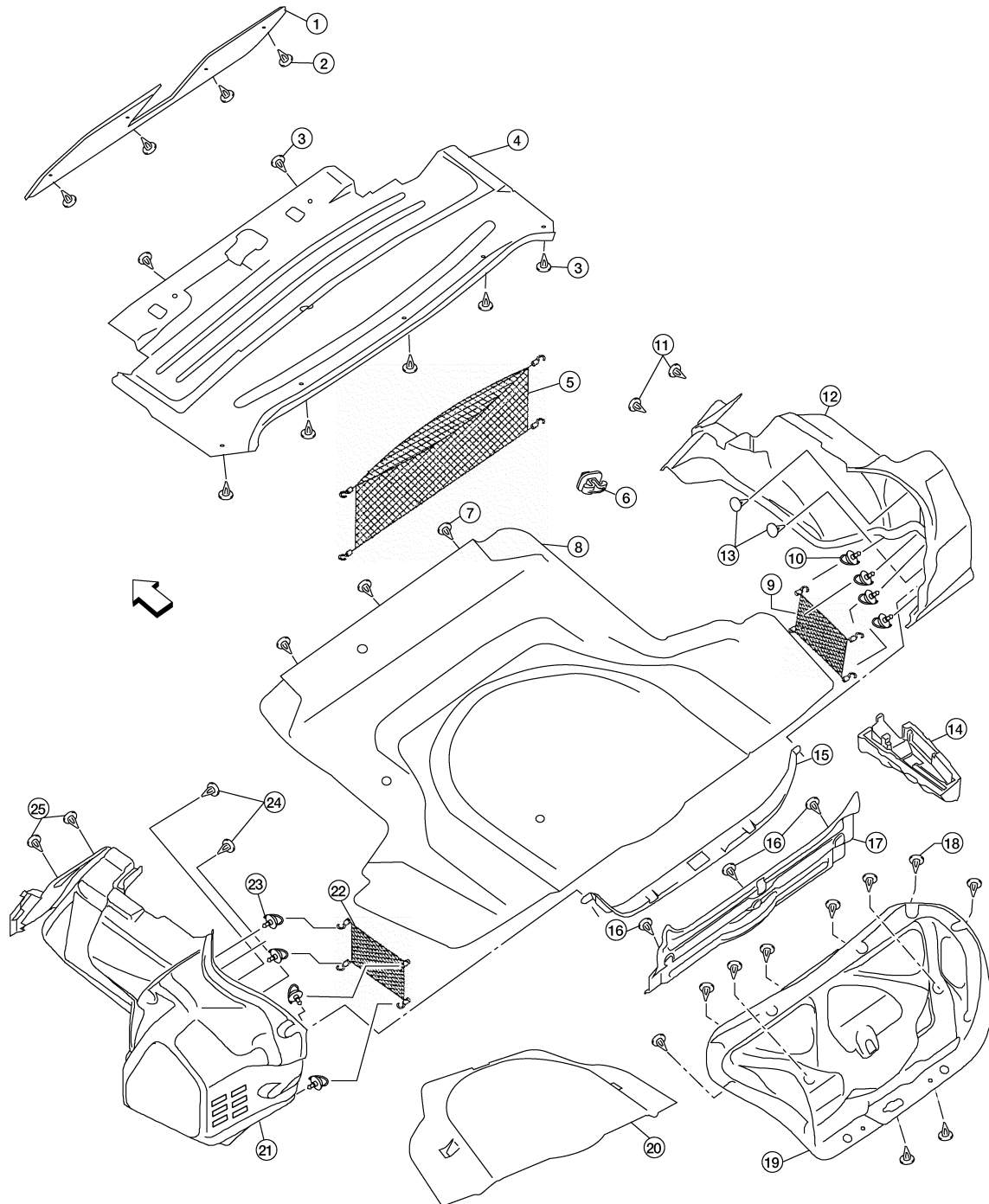
< SERVICE INFORMATION >

## TRUNK ROOM TRIM & TRUNK LID FINISHER

### Removal and Installation

INFOID:000000001721215

SEC. 849



- |                         |                          |                             |
|-------------------------|--------------------------|-----------------------------|
| 1. Trunk forward carpet | 2. Clip C103             | 3. Clip C103                |
| 4. Upper trunk finisher | 5. Trunk net             | 6. Trunk room lamp          |
| 7. Clip C103            | 8. Trunk floor carpet    | 9. Trunk net, RH            |
| 10. Trunk net hooks RH  | 11. Clip C103            | 12. Trunk side finisher, RH |
| 13. Clip C103           | 14. Box assembly         | 15. Rear trunk plate        |
| 16. Clip C103           | 17. Trunk finisher, rear | 18. Clip C103               |
| 19. Trunk lid finisher  | 20. Spare tire cover     | 21. Trunk side finisher, LH |

WIIA0932E

A  
B  
C  
D  
E  
F  
G  
H  
EI  
J  
K  
L  
M  
N  
O  
P

# TRUNK ROOM TRIM & TRUNK LID FINISHER

## < SERVICE INFORMATION >

---

22. Trunk net, LH

23. Trunk net hooks LH

24. Clip C103

25. Clip C103

← Vehicle front